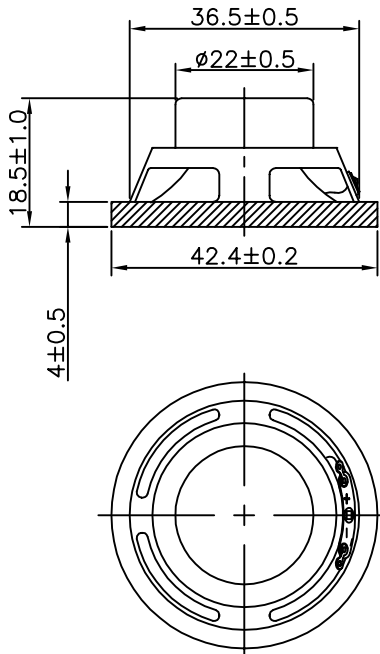


Parameter	Specification
Dimensions	40 x 18.5mm
Impedance	4Ω ± 15%
Input Power	2.0W/3.0W
Lowest Resonant Frequency, F ₀	300Hz ± 20%
Sensitivity @ 1.0W/1.0m	89 ± 3 dB
Effective Frequency Range	F ₀ to 6.0 kHz
Total Harmonic Distortion	< 5%



Specifications subject to change

Part No. D0040004NC018AR rev1.4

40 mm Speaker

Email: speakers@stetron.com

Web Site: www.stetron.com

