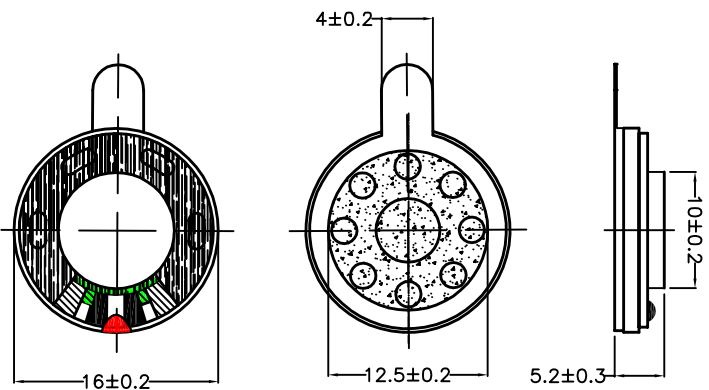


| Parameter | Specification |
|---|----------------------------|
| Dimensions | 16 x 4.5mm |
| Impedance | 16Ω ± 15% |
| Input Power | 0.3W/0.5W |
| Lowest Resonant Frequency, F ₀ | 800Hz ± 20% |
| Sensitivity @ 0.3W/0.5m | 79 ± 3 dB |
| Effective Frequency Range | F ₀ to 15.0 KHz |
| Total Harmonic Distortion | < 15% |



Part No. U0016016NM03BAR

16 mm Speaker

Email: speakers@stetron.com

Web Site: www.stetron.com

