



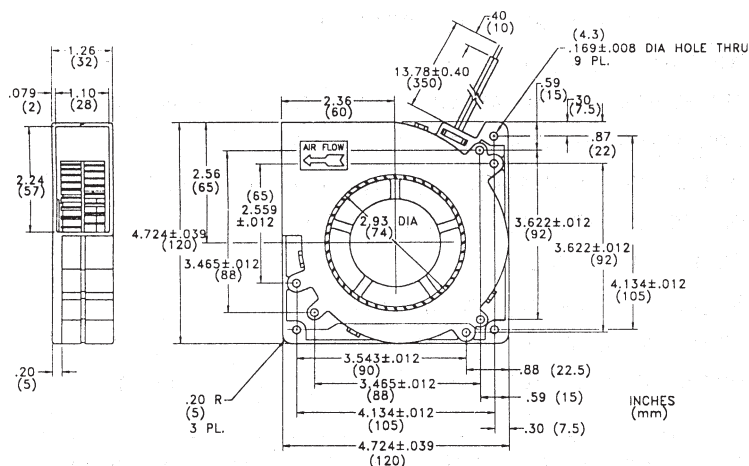
**USTF120B32 Series**

**Size:** 4.72 in sq. x 1.26 in. thk  
(120mm sq. x 32mm thk.)

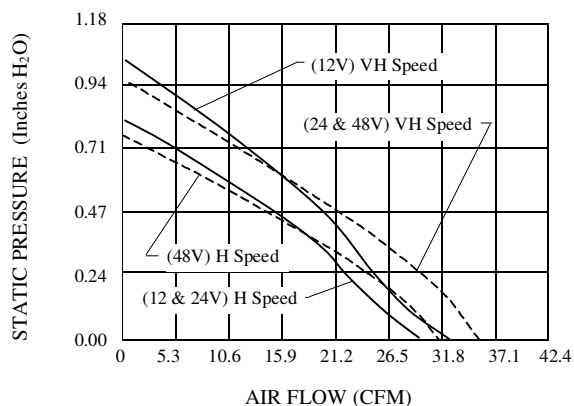
**Airflow:** 29.0 - 35.3 CFM

**Acoustical Noise:** 51 - 54 dB (A)

- MATERIAL:** Frame - Black PBT (UL 94V-0)  
Bearings - Ball  
Impeller - Black PBT (UL 94V-0)
- WEIGHT:** 8.56 oz. (230g)
- TERMINATION:** Lead Wires (UL 1007, AWG24)
- OPERATION TEMPERATURE:** -10° to +60° C
- INSULATION RESISTANCE:** 10 megohms min @ 500 VDC
- DIELECTRIC STRENGTH:** 500 VAC for 1 min.
- INSULATION:** Class A
- SAFETY:** Impedance & Polarity Protected
- SAFETY APPROVALS:** UL, CSA & CE
- OPERATING VOLTAGE:** 12 VDC (4.0 to 13.8)  
24 VDC (7.0 TO 27.6)  
48 VDC (28.0 TO 56.0)



**PERFORMANCE CURVES:** (Obtained with test chamber and methods in accordance with AMCA Std. 210-74)



**SPECIFICATIONS:** (All values are typical)

PART NUMBER	VOLTS	WATTS	AMPS	RPM	NOISE dB (A) @ 1M	CFM
USTF120B3212HW	12VDC	9.84	0.82	2500	51.0	29.0
USTF120B3224HW	24VDC	8.40	0.35	2500	51.0	29.0
USTF120B3248HW	48VDC	7.20	0.15	2500	51.0	31.4
USTF120B3212VHW	12VDC	13.2	1.10	2800	54.0	32.5
USTF120B3224VHW	24VDC	12.9	0.54	2800	54.0	35.3
USTF120B3248VHW	48VDC	10.6	0.22	2800	54.0	35.3

MODELS AVAILABLE ON REQUEST:

Failure Detector - rotation sensing - Add Suffix "SR" to part number  
Speed Controller - tach output - Add Suffix "SF" to part number