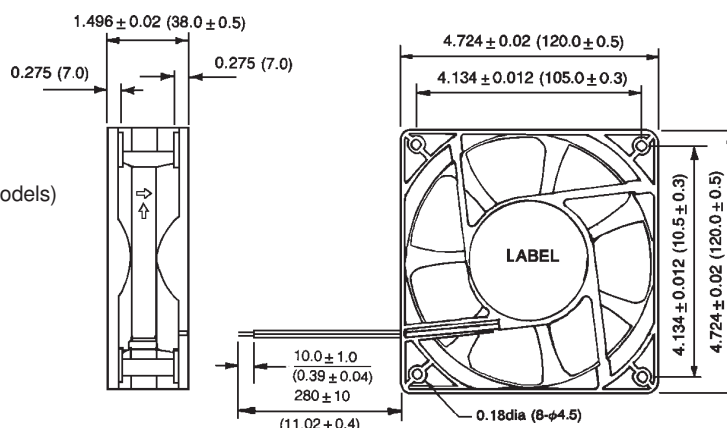
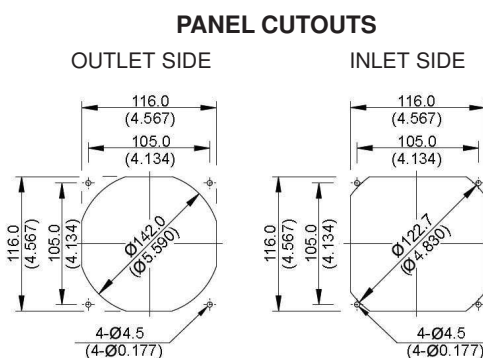
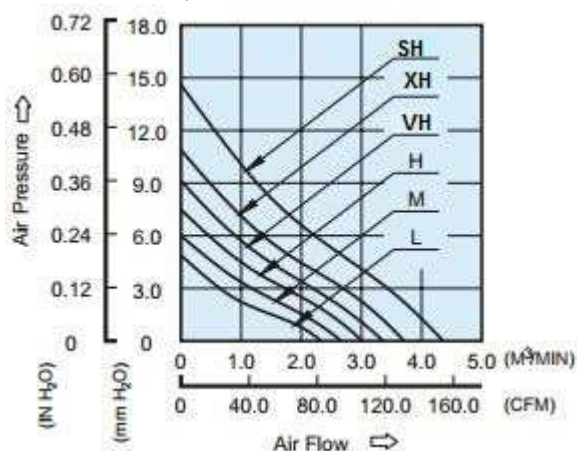




- MATERIAL:** Frame - Black PBT (UL 94V-0)  
Bearings - Ball  
Impeller - Black PBT (UL 94V-0)
- WEIGHT:** 9.03 oz. (256g)
- TERMINATION:** Lead Wires (UL 1007, AWG #24 or equivalent)
- OPERATING TEMPERATURE:** -10° to +70° C (+60° on "H" & higher models)
- INSULATION RESISTANCE:** 10 megohms min @ 500 VDC
- DIELECTRIC STRENGTH:** 500 VAC for 1 min.
- INSULATION:** Class A
- SAFETY:** Impedance & Polarity Protected
- SAFETY APPROVALS:** UL, CSA & CE
- OPERATING VOLTAGE:** 12VDC (4 to 13.2) - 24VDC (7 to 27.6) - 48VDC (28 to 56)



**PERFORMANCE CURVES:** (Obtained with test chamber and methods in accordance with AMCA Std. 210-74)



**SPECIFICATIONS:** (All values are typical)

PART NUMBER	VOLTS	WATTS	AMPS	RPM	NOISE dB (A) @ 1M	CFM
USTF1203812SHW	12VDC	12.60	1.05	3700	53.0	152
USTF1203812XHW	12VDC	7.20	0.60	3200	48.0	130
USTF1203812VHW	12VDC	5.52	0.46	2900	44.0	120
USTF1203812HW	12VDC	3.84	0.32	2600	41.0	106
USTF1203812MW	12VDC	3.12	0.26	2300	38.0	95
USTF1203812LW	12VDC	2.28	0.19	2000	34.0	85
USTF1203824SHW	24VDC	12.00	0.50	3700	53.0	152
USTF1203824XHW	24VDC	9.12	0.38	3200	48.0	130
USTF1203824VHW	24VDC	7.20	0.30	2900	44.0	120
USTF1203824HW	24VDC	5.76	0.24	2600	41.0	106
USTF1203824MW	24VDC	4.56	0.19	2300	38.0	95
USTF1203824LW	24VDC	3.60	0.15	2000	34.0	85
USTF1203848XHW	48VDC	8.64	0.18	3200	48.0	130
USTF1203848VHW	48VDC	7.20	0.15	2900	44.0	120
USTF1203848HW	48VDC	5.76	0.12	2600	41.0	106
USTF1203848MW	48VDC	3.84	0.08	2300	38.0	95
USTF1203848LW	48VDC	2.88	0.06	2000	34.0	85

**MODELS AVAILABLE ON REQUEST:** **Failure Detector** - (rotation sensing) - Add Suffix "SR" to part number  
**Speed Controller** - (tach output) - Add Suffix "SF" to part number