



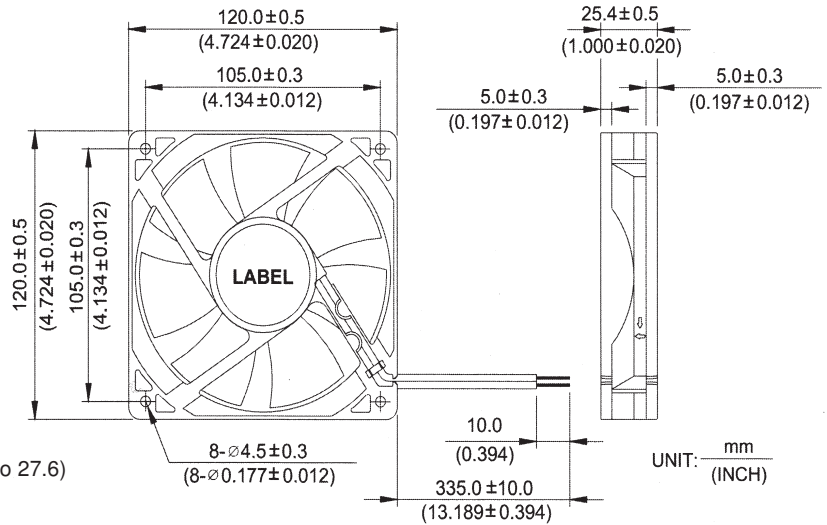
USTF12025 Series

Size: 4.72 in sq. x 1.0 in. thk
(120mm sq. x 25mm thk.)

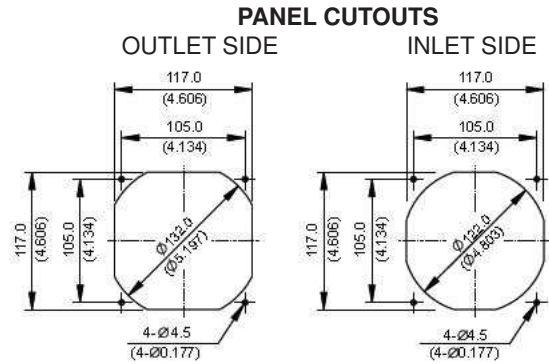
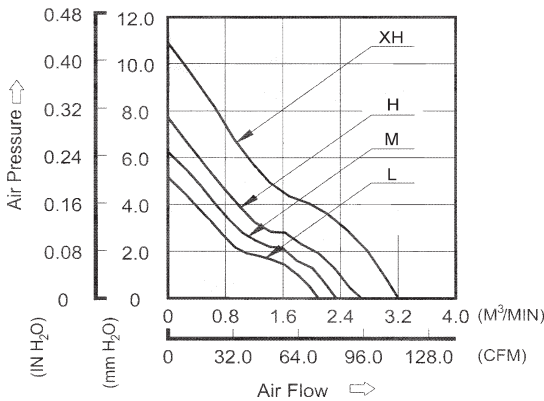
Airflow: 73 - 113 CFM

Acoustical Noise: 35.5 - 46.5 dB (A)

- MATERIAL:** Frame - Black PBT (UL 94V-0)
Bearings - Ball
Impeller - Black PBT (UL 94V-0)
- WEIGHT:** 6.98 oz. (198g)
- TERMINATION:** Lead Wires: UL 1007, AWG24 or equivalent
- OPERATION TEMPERATURE:** -10° to +70° C
- INSULATION RESISTANCE:** 10 megohms min @ 500 VDC
- DIELECTRIC STRENGTH:** 500 VAC for 1 min.
- INSULATION:** Class A
- SAFETY:** Impedance & Polarity Protected
- SAFETY APPROVALS:** UL, CSA, & CE
- OPERATING VOLTAGE:** 12 VDC (7 to 13.8) - 24 VDC (14 to 27.6)



PERFORMANCE CURVES: (Obtained with test chamber and methods in accordance with AMCA Std. 210-74)



SPECIFICATIONS: (All values are typical)

PART NUMBER	VOLTS	WATTS	AMPS	RPM	NOISE dB (A) @ 1M	CFM
USTF1202512XHW	12VDC	6.36	0.53	3400	46.5	113.1
USTF1202512HW	12VDC	3.96	0.33	2800	41.5	95.1
USTF1202512MW	12VDC	2.76	0.23	2500	38.5	82.7
USTF1202512LW	12VDC	2.16	0.18	2200	35.5	73.8
USTF1202524XHW	24VDC	6.72	0.28	3400	46.5	113.1
USTF1202524HW	24VDC	4.32	0.18	2800	41.5	95.1
USTF1202524MW	24VDC	3.36	0.14	2500	38.5	82.7
USTF1202524LW	24VDC	2.88	0.12	2200	35.5	73.8

MODELS AVAILABLE ON REQUEST:

Failure Detector - rotation sensing - Add Suffix "SR" to part number
Speed Controller - tach output - Add Suffix "SF" to part number