



**U.S. TOYO
FAN CORP.**

USTF6025 Series

DC Brushless Fans

16025 Arrow Hwy., Suite F, Irwindale, CA 91706 www.ustoyofan.com Email: sales@ustoyofan.com Tel (626) 338-1111 Fax (626) 338-1119

USTF6025 Series

Size: 2.36 in. sq. x 1.00 in. thk
(60mm sq. x 25mm thk.)

Airflow: 16.8 - 38.4 CFM

Acoustical Noise: 26.5 - 46.5 dB (A)

MATERIAL: Frame - Black PBT (UL 94V-0)
Bearings - Ball
Impeller - Black PBT (UL 94V-0)

WEIGHT: 2.82 oz. (80g)

TERMINATION: Lead Wires (UL 1007 or equiv., AWG24)

OPERATION TEMPERATURE: -10° to +70° C

INSULATION RESISTANCE: 10 megohms min @ 500 VDC

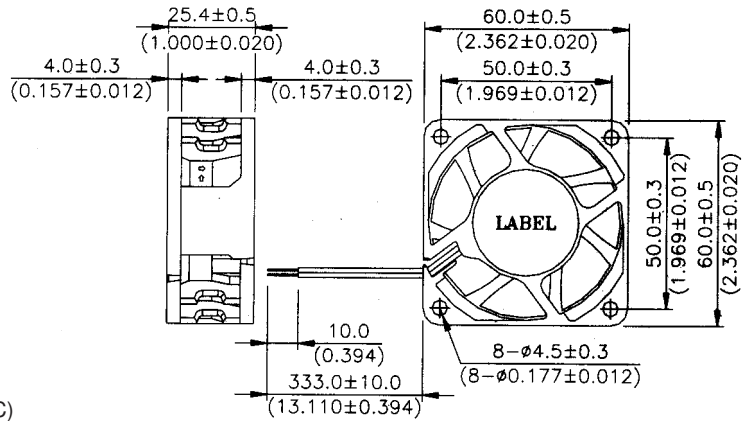
DIELECTRIC STRENGTH: 500 VAC for 1 min.

INSULATION: Class A

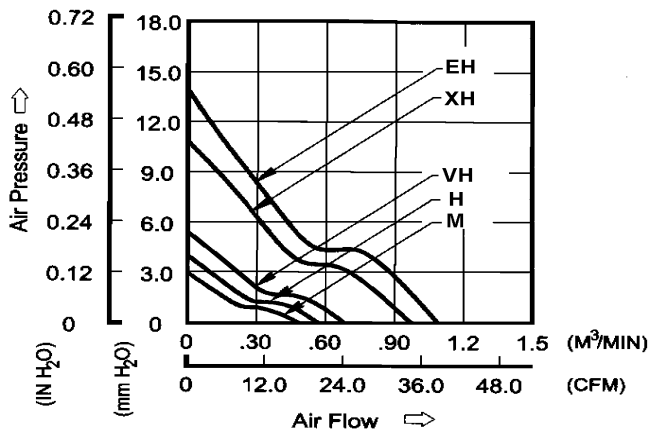
SAFETY: Impedance & Polarity Protected

SAFETY APPROVALS: UL, CSA & CE

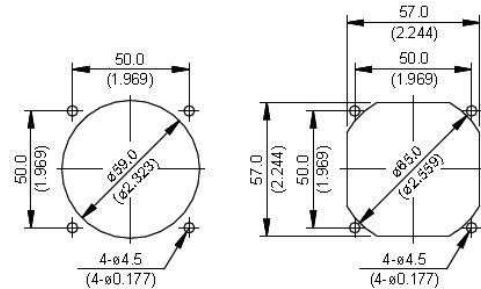
OPERATING VOLTAGE: 4 to 13.8 (12VDC)
14 to 27.6 (24VDC), 28 to 56 (48VDC)



PERFORMANCE CURVES: (Obtained with test chamber and methods in accordance with AMCA Std. 210-74)



PANEL CUTOUTS
OUTLET SIDE INLET SIDE



SPECIFICATIONS: (All values are typical)

PART NUMBER	VOLTS	WATTS	AMPS	RPM	NOISE dB (A) @ 1M	CFM
USTF602512EHW	12VDC	4.56	0.38	6800	46.5	38.4
USTF602512XHW	12VDC	3.24	0.27	6000	44.5	34.1
USTF602512VHW	12VDC	1.68	0.14	4250	34.0	23.4
USTF602512HW	12VDC	1.56	0.13	3600	31.0	19.8
USTF602512MW	12VDC	0.96	0.08	3100	26.5	16.8
USTF602524EHW	24VDC	5.76	0.24	6800	46.5	38.4
USTF602524XHW	24VDC	4.08	0.17	6000	44.5	34.1
USTF602524VHW	24VDC	2.16	0.09	4250	34.0	23.4
USTF602524HW	24VDC	1.68	0.07	3600	31.0	19.8
USTF602524MW	24VDC	1.44	0.06	3100	26.5	16.8
USTF602548EHW	48VDC	6.72	0.14	6800	46.5	38.4
USTF602548XHW	48VDC	5.28	0.11	6000	44.5	34.1

MODELS AVAILABLE ON REQUEST:

Failure Detector - rotation sensing - Add Suffix "SR" to part number
Speed Controller - tach output - Add Suffix "SF" to part number