



**U.S. TOYO  
FAN CORP.**

**USTF5020 Series**

**DC Brushless Fans**

16025 Arrow Hwy., Suite F, Irwindale, CA 91706 www.ustoyofan.com Email: sales@ustoyofan.com Tel (626) 338-1111 Fax (626) 338-1119

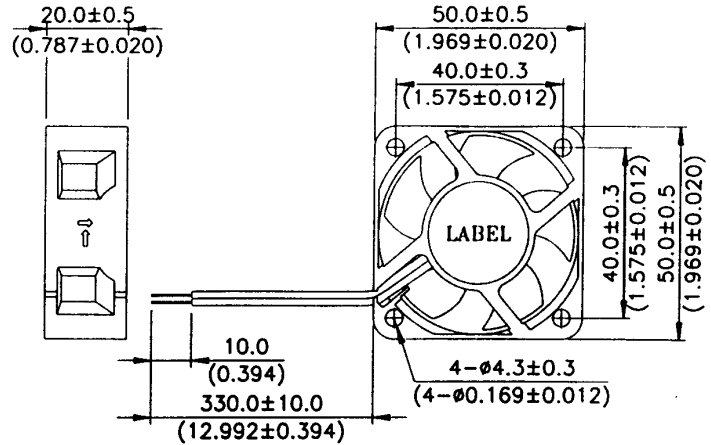
**USTF5020 Series**

**Size:** 1.97 in sq. x 0.79 in. thk  
(50mm sq. x 20mm thk.)

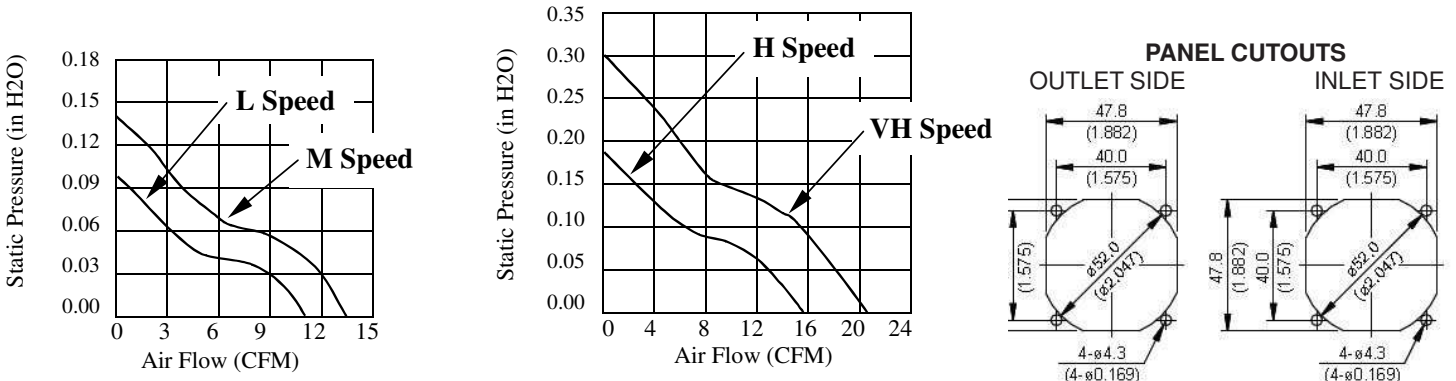
**Airflow:** 11.0 - 20.3 CFM

**Acoustical Noise:** 25.0 - 40.5 dB (A)

- MATERIAL:** Frame - Black PBT (UL 94V-0)  
Bearings - Ball  
Impeller - Black PBT (UL 94V-0)
- WEIGHT:** 1.34 oz. (38g)
- TERMINATION:** Lead Wires (UL 1007, AWG24 or equivalent)
- OPERATION TEMPERATURE:** -10° to +70° C
- INSULATION RESISTANCE:** 10 megohms min @ 500 VDC
- DIELECTRIC STRENGTH:** 500 VAC for 1 min.
- INSULATION:** Class A
- SAFETY:** Impedance & Polarity Protected
- SAFETY APPROVALS:** UL, CSA & CE
- OPERATING VOLTAGE:** 5 VDC (4.5 to 5.5) 12 VDC (7 to 13.8)  
24VDC (14.0 to 27.6)



**PERFORMANCE CURVES:** (Obtained with test chamber and methods in accordance with AMCA Std. 210-74)



**SPECIFICATIONS:** (All values are typical)

PART NUMBER	VOLTS	WATTS	AMPS	RPM	NOISE dB (A) @ 1M	CFM
USTF502005HW	5VDC	1.65	0.33	5600	33.0	15.8
USTF502005MW	5VDC	1.00	0.20	4800	28.0	13.4
USTF502005LW	5VDC	0.70	0.14	4000	25.0	11.0
USTF502012VHW	12VDC	1.92	0.16	7000	40.5	20.3
USTF502012HW	12VDC	1.20	0.10	5600	33.0	15.8
USTF502012MW	12VDC	0.84	0.07	4800	28.0	13.4
USTF502012LW	12VDC	0.72	0.06	4000	25.0	11.0
USTF502024VHW	24VDC	2.40	0.10	7000	40.5	20.3
USTF502024HW	24VDC	1.68	0.07	5600	33.0	15.8
USTF502024MW	24VDC	1.44	0.06	4800	28.0	13.4
USTF502024LW	24VDC	1.20	0.05	4000	25.0	11.0

MODELS AVAILABLE ON REQUEST:

Failure Detector - rotation sensing - Add Suffix "SR" to part number  
Speed Controller - tach output - Add Suffix "SF" to part number