



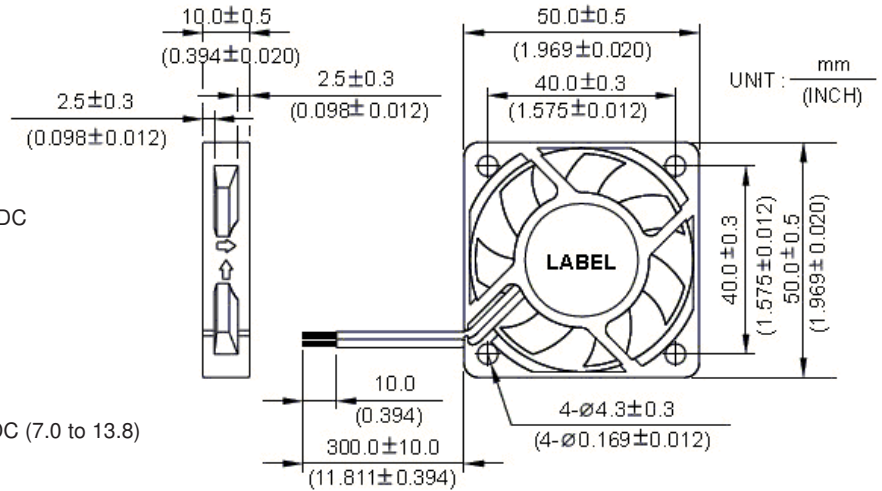
**U.S. TOYO  
FAN CORP.**

**USTF5010 Series**

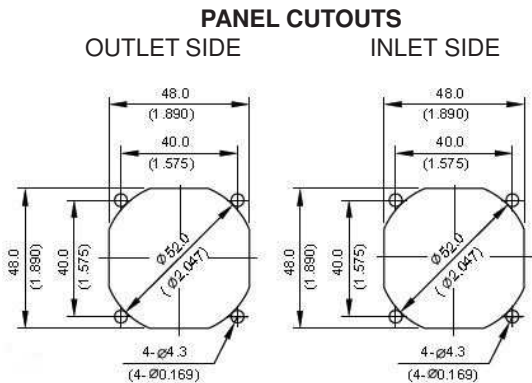
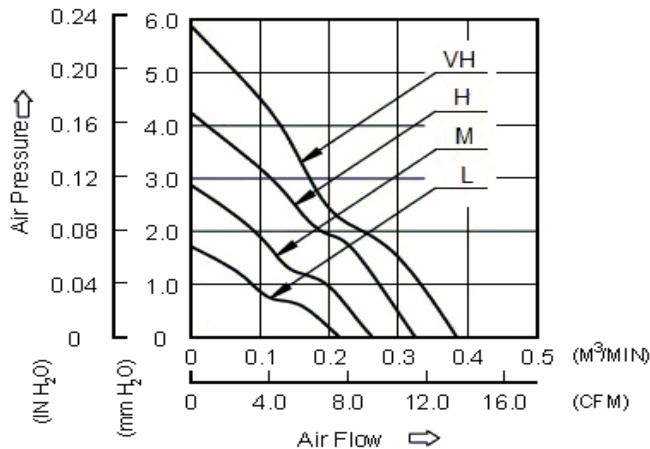
**DC Brushless Fans**

16025 Arrow Hwy., Suite F, Irwindale, CA 91706 www.ustoyofan.com Email: sales@ustoyofan.com Tel (626) 338-1111 Fax (626) 338-1119

- MATERIAL:** Frame - Black PBT (UL 94V-0)  
Bearings - Ball  
Impeller - Black PBT (UL 94V-0)
- WEIGHT:** 0.9 oz. (25g)
- TERMINATION:** Lead Wires (UL Approved, AWG28)
- OPERATION TEMPERATURE:** -10° to +70° C
- INSULATION RESISTANCE:** 10 megohms min @ 500 VDC
- DIELECTRIC STRENGTH:** 500 VAC for 1 min.
- INSULATION:** Class A
- SAFETY:** Impedance & Polarity Protected
- SAFETY APPROVALS:** UL and CE
- OPERATING VOLTAGE:** 5 VDC (4.5 TO 5.5) - 12 VDC (7.0 to 13.8)



**PERFORMANCE CURVES:** (Obtained with test chamber and methods in accordance with AMCA Std. 210-74)



**SPECIFICATIONS:** (All values are typical)

| PART NUMBER   | VOLTS | WATTS | AMPS | RPM  | NOISE<br>dB (A) @ 1M | CFM   |
|---------------|-------|-------|------|------|----------------------|-------|
| USTF501005HW  | 5VDC  | 1.00  | 0.20 | 5500 | 30.0                 | 11.40 |
| USTF501005MW  | 5VDC  | 0.65  | 0.13 | 4500 | 25.0                 | 9.21  |
| USTF501005LW  | 5VDC  | 0.35  | 0.07 | 3500 | 18.0                 | 7.50  |
| USTF501012VHW | 12VDC | 1.80  | 0.15 | 6500 | 35.0                 | 13.57 |
| USTF501012HW  | 12VDC | 1.20  | 0.10 | 5500 | 30.0                 | 11.40 |
| USTF501012MW  | 12VDC | 0.96  | 0.08 | 4500 | 25.0                 | 9.21  |
| USTF501012LW  | 12VDC | 0.60  | 0.05 | 3500 | 18.0                 | 7.50  |

MODELS AVAILABLE ON REQUEST:

Failure Detector - rotation sensing - Add Suffix "SR" to part number  
Speed Controller - tach output - Add Suffix "SF" to part number