



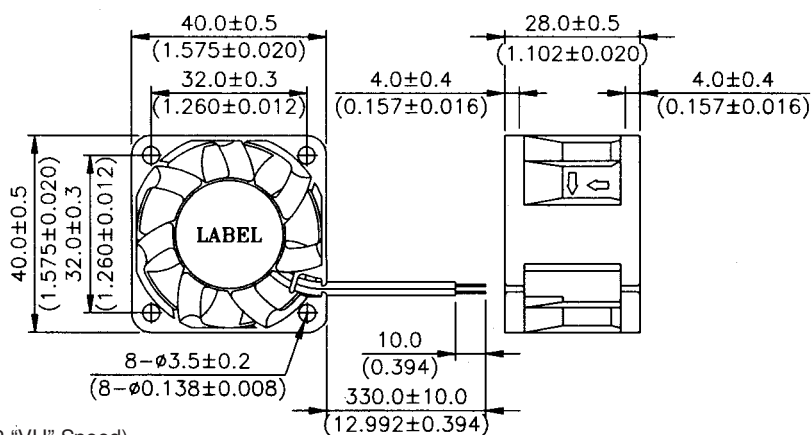
USTF4028 Series

Size: 1.58 in sq. x 1.10 in. thk
(40mm sq. x 28mm thk.)

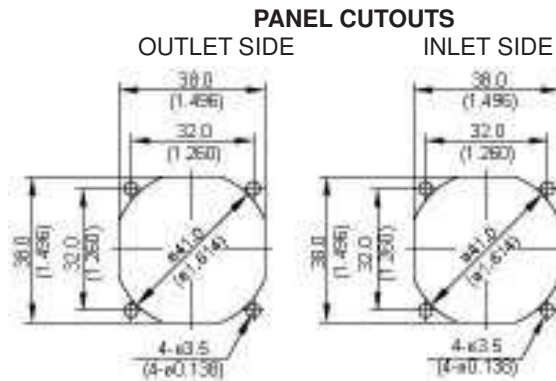
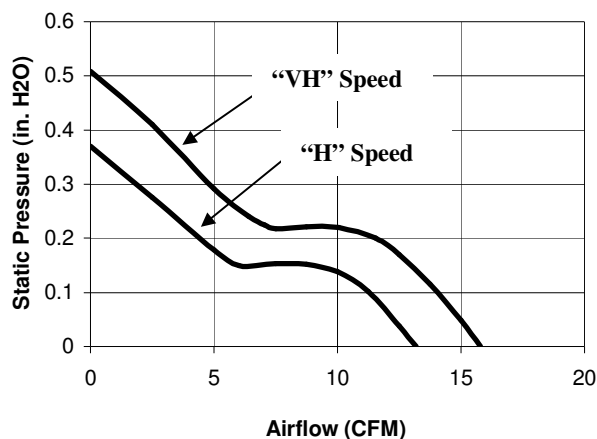
Airflow: 13.2 - 15.8 CFM

Acoustical Noise: 36.9 - 41.9 dB (A)

- MATERIAL:** Frame - Black PBT (UL 94V-0)
Bearings - Ball
Impeller - Black PBT (UL 94V-0)
- WEIGHT:** 1.13 oz. (32g)
- TERMINATION:** Lead Wires (UL 1007, AWG24 or equivalent)
- OPERATION TEMPERATURE:** -10° to +70° C
- INSULATION RESISTANCE:** 10 megohms min @ 500 VDC
- DIELECTRIC STRENGTH:** 500 VAC for 1 min.
- INSULATION:** Class A
- SAFETY:** Impedance & Polarity Protected
- SAFETY APPROVALS:** UL, CSA & CE
- OPERATING VOLTAGE:** 12 VDC (7 to 13.8 "H" Speed, 13.2 "VH" Speed)
24 VDC (14 to 27.6 "H" Speed, 26.4 "VH" Speed)



PERFORMANCE CURVES: (Obtained with test chamber and methods in accordance with AMCA Std. 210-74)



SPECIFICATIONS: (All values are typical)

PART NUMBER	VOLTS	WATTS	AMPS	RPM	NOISE dB (A) @ 1M	CFM
USTF402812VHW	12VDC	1.92	0.16	9500	41.9	15.8
USTF402812HW	12VDC	1.32	0.11	8000	36.9	13.2
USTF402824VHW	24VDC	2.40	0.10	9500	41.9	15.8
USTF402824HW	24VDC	1.92	0.08	8000	36.9	13.2

MODELS AVAILABLE ON REQUEST:

Failure Detector - rotation sensing - Add Suffix "SR" to part number
Speed Controller - tach output - Add Suffix "SF" to part number