



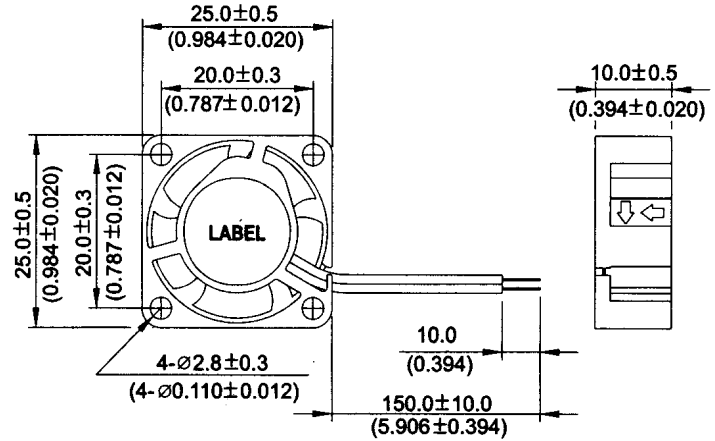
**USTF2510 Series**

**Size:** 0.985 in sq. x 0.40 in. thk  
(25mm sq. x 10mm thk.)

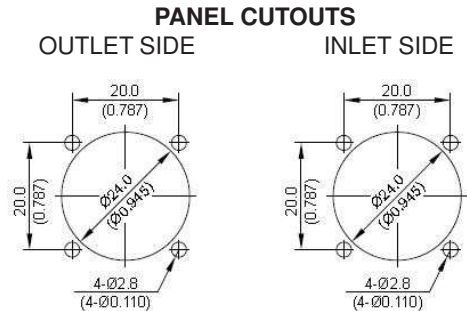
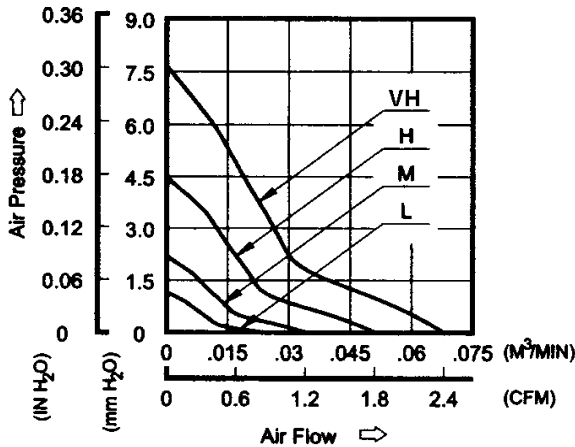
**Airflow:** 1.20 - 2.40 CFM

**Acoustical Noise:** 20 - 28 dB (A)

- MATERIAL:** Frame - Black PBT (UL 94V-0)  
Bearings - Ball  
Impeller - Black PBT (UL 94V-0)
- WEIGHT:** 0.37 oz. (10.5g)
- TERMINATION:** Lead Wires 26 ga UL 1061 or equiv.
- OPERATION TEMPERATURE:** -10° to +70° C
- INSULATION RESISTANCE:** 10 megohms min @ 500 VDC
- DIELECTRIC STRENGTH:** 500 VAC for 1 min.
- INSULATION:** Class A
- SAFETY:** Impedance & Polarity Protected
- SAFETY APPROVALS:** UL, CSA & CE
- OPERATING VOLTAGE:** 5 VCD (4.5 TO 5.5) - 12 VDC (7.0 to 13.2)



**PERFORMANCE CURVES:** (Obtained with test chamber and methods in accordance with AMCA Std. 210-74)



**SPECIFICATIONS:** (All values are typical)

PART NUMBER	VOLTS	WATTS	AMPS	RPM	NOISE dB (A) @ 1M	CFM
USTF251005LW	5VDC	0.20	0.04	5000	18.0	0.85
USTF251005MW	5VDC	0.30	0.06	7000	20.0	1.20
USTF251005HW	5VDC	0.60	0.12	10000	23.5	1.85
USTF251005VHW	5VDC	0.80	0.16	13000	28.0	2.40
USTF251012MW	12VDC	0.48	0.04	7000	20.0	1.20
USTF251012HW	12VDC	0.72	0.06	10000	23.5	1.85
USTF251012VHW	12VDC	0.96	0.08	13000	28.0	2.40

MODELS AVAILABLE ON REQUEST:

Failure Detector - rotation sensing - Add Suffix "SR" to part number  
Speed Controller - tach output - Add Suffix "SF" to part number