



TAC9238 Series

Size: 3.64 in sq. x 1.5 in. thk
(92.5mm sq. x 38mm thk.)

Airflow: 30 - 45 CFM

Acoustical Noise: 24 - 37 dB (A)

MATERIAL: Frame - Aluminum Alloy, Painted Black Finish
Bearings - Sealed Ball
Impeller - UL94V-0 Plastic

WEIGHT: 14.3 oz. (405g)

TERMINATION: Lead wires

OPERATION TEMPERATURE: -20° to +80°C

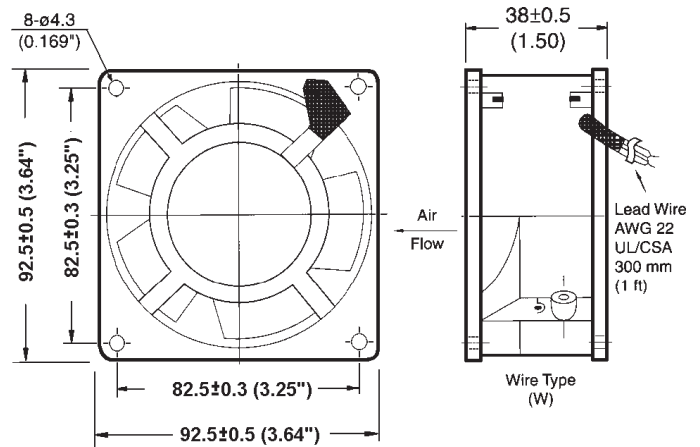
INSULATION RESISTANCE: 10 Megohms min @ 500 VDC

DIELECTRIC STRENGTH: 1,500 VAC for 1 min.

INSULATION: Class B

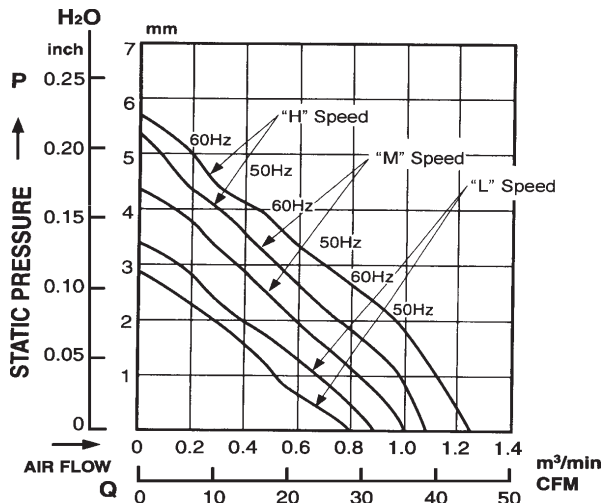
SAFETY: Impedance Protected

SAFETY APPROVALS: UL 106227 & CSA LR702499 (Applies to single voltage models only)
CE (Applies to 230V models only)

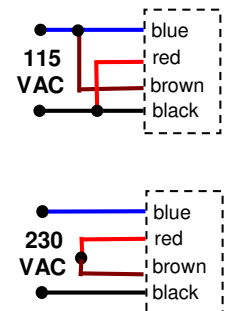


PERFORMANCE CURVES:

(Obtained with test chamber and methods in accordance with AMCA Std. 210-74)



**DUAL VOLTAGE MODEL
WIRING SCHEMATIC**



SPECIFICATIONS: (Based on 60 Hz Frequency)

PART NUMBER	VOLTS	WATTS	mAMPS	RPM	NOISE dB (A) @ 1M	CFM
TAC9238115HW	115	9.0	120	3000	34	45
TAC9238115MW	115	7.0	100	2500	27	40
TAC9238115LW	115	6.0	70	2200	25	30
TAC9238230HW	230	13.0	120	3000	34	45
TAC9238230MW	230	11.0	80	2500	27	40
TAC9238230LW	230	9.0	70	2200	25	30
TAC9238345HW	115 / 230	9.0 / 13.0	120	3000	34	45

NOTE: Standard models with wire leads (Terminals not available)