



**U.S. TOYO  
FAN CORP.**

4941 Walnut Grove Ave., San Gabriel, CA 91776  
(626) 287-5297  
E-mail: sales@ustoyofan.com

## USTF12025 Series AC / Ball Bearing Fans

FAX (626) 287-5328  
www.ustoyofan.com

### USTF12025 Series

**Size:** 4.69 in sq. x 1.0 in. thk  
(119mm sq. x 25mm thk.)

**Airflow:** 54 - 77 CFM

**Acoustical Noise:** 30 - 38 dB (A)

**MATERIAL:** Frame - Aluminum Alloy, Painted Black Finish  
Bearings - Sealed Ball  
Impeller - UL94V-0 Plastic

**WEIGHT:** 13 oz. (360g)

**TERMINATION:** Terminals

**OPERATION TEMPERATURE:** -10° to +70° C

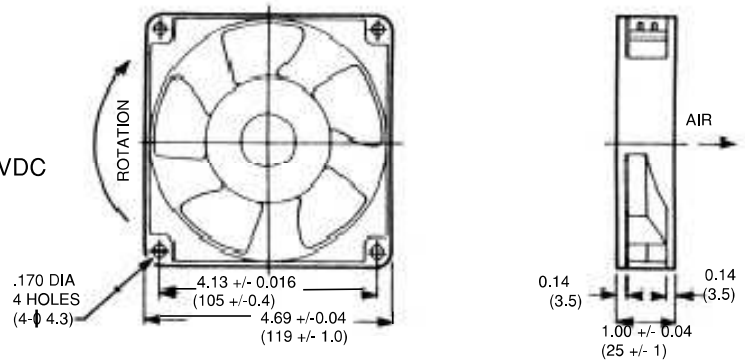
**INSULATION RESISTANCE:** 100,000 Ohms min @ 500 VDC

**DIELECTRIC STRENGTH:** 500 VAC for 1 min.

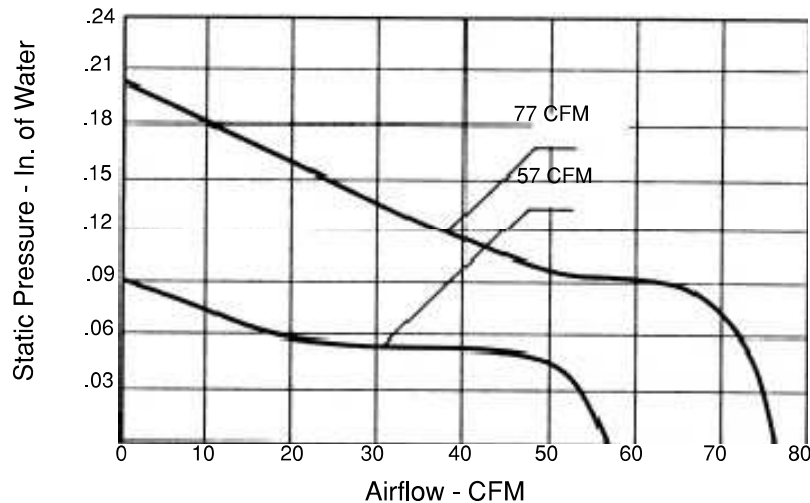
**INSULATION:** Class A

**SAFETY:** Impedance Protected

**SAFETY APPROVALS:** UL, CSA, & CE



**PERFORMANCE CURVES:** (Obtained with test chamber and methods in accordance with AMCA Std. 210-74)



**SPECIFICATIONS:** (Based on 60 Hz Frequency)

PART NUMBER	VOLTS	WATTS	mAMPS	RPM	NOISE dB (A) @ 1M	CFM
USTF120251153T	115	11.0	136	3100	38	77
USTF120251152T	115	8.0	90	2300	30	57
USTF120252303T	230	10.0	68	2900	38	75
USTF120252302T	230	7.0	34	2200	30	56

NOTE: Standard models with Terminals. Lead Wires available on request.