



**U.S. TOYO  
FAN CORP.**

## USTF9225 Series AC / Ball Bearing Fans

4941 Walnut Grove Ave., San Gabriel, CA 91776  
(626) 287-5297  
E-mail: sales@ustoyofan.com

FAX (626) 287-5328  
www.ustoyofan.com

### USTF9225 Series

**Size:** 3.62 in sq. x 1.0 in. thk  
(92mm sq. x 25mm thk.)

**Airflow:** 30 - 35 CFM

**Acoustical Noise:** 35 - 39 dB (A)

**MATERIAL:** Frame - Aluminum Alloy, Painted Black Finish  
Bearings - Sealed Ball  
Impeller - UL94V-0 Plastic

**WEIGHT:** 10.5 oz. (300g)

**TERMINATION:** Terminals

**OPERATION TEMPERATURE:** -10° to +70° C

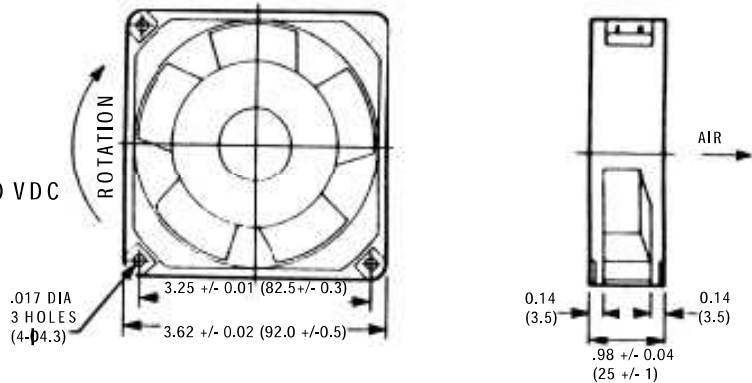
**INSULATION RESISTANCE:** 100,000 Ohms min @ 500 VDC

**DIELECTRIC STRENGTH:** 500 VAC for 1 min.

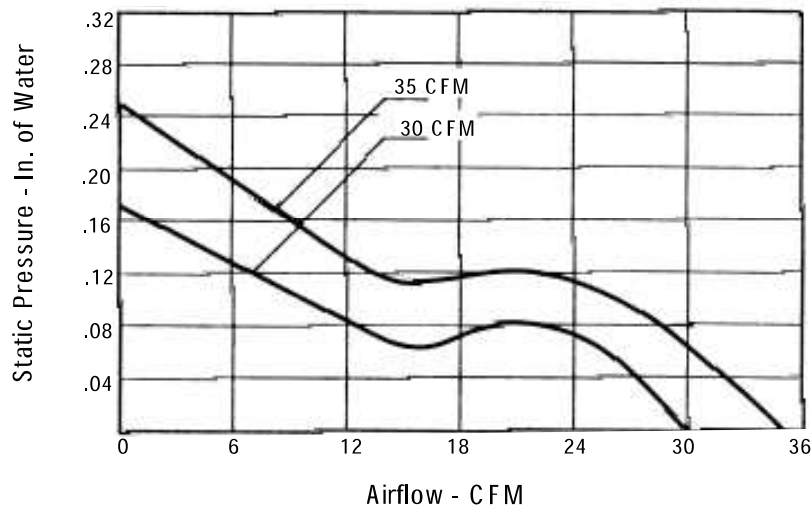
**INSULATION:** Class A

**SAFTEY:** Impedance Protected

**SAFTEY APPROVALS:** UL, CSA, & CE



### PERFORMANCE CURVES: (Obtained with test chamber and methods in accordance with AMCA Std. 210-74)



### SPECIFICATIONS: (Based on 60 Hz Frequency)

PART NUMBER	VOLTS	WATTS	mAMPS	RPM	NOISE dB (A) @ 1M	CFM
USTF92251153T	115	9.0	116	3200	38	35
USTF92251152T	115	6.0	74	2800	35	30
USTF92252303T	230	9.0	68	3200	39	35
USTF92252302T	230	5.0	44	2600	35	30

NOTE: Standard models with Terminals. Lead Wires available on request.