



**US4028..SFM Series**

**Size:** 1.58 in sq. x 1.10 in. thk  
(40mm sq. x 38mm thk.)

**Airflow:** 14.9 - 23.4 CFM

**Acoustical Noise:** 45.4 - 57.9 dB (A)

**MATERIAL:** Frame - Black PBT (UL 94V-0)  
Bearings - Ball  
Impeller - Black PBT (UL 94V-0)

**WEIGHT:** 1.4 oz. (39.6g)

**TERMINATION:** Lead Wires 28 Ga UL approved

**OPERATION TEMPERATURE:** -10° to +70°C

**INSULATION RESISTANCE:**  
10 megohms min @ 500 VDC

**DIELECTRIC STRENGTH:** 500 VAC for 1 min.

**INSULATION:** Class A

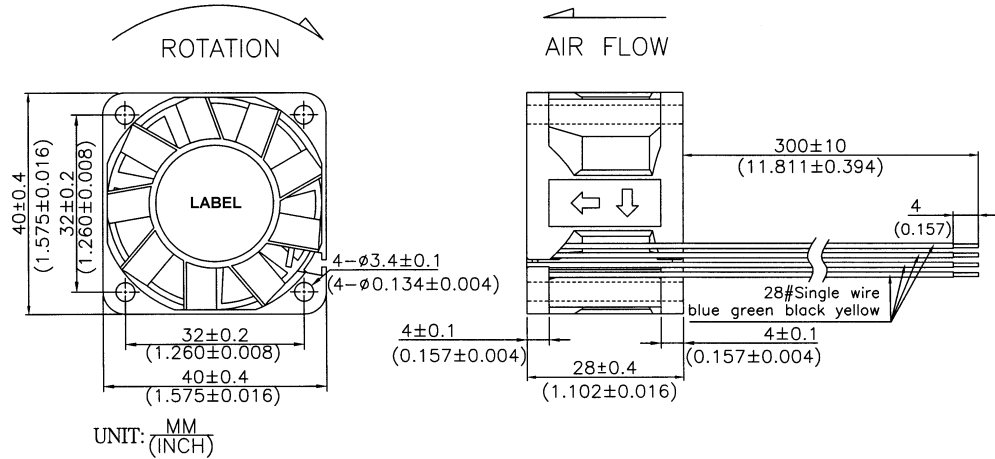
**SAFTEY:** Impedance & Polarity Protected

**SAFTEY APPROVALS:** UL & CE

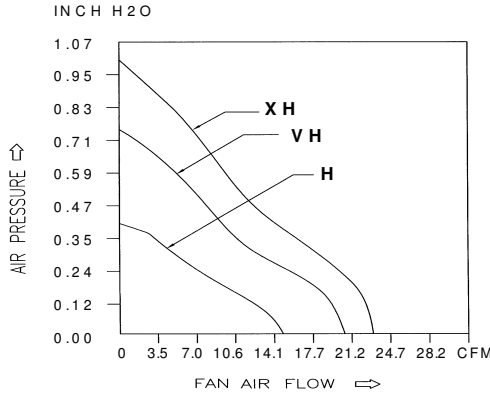
**OPERATING VOLTAGE:** 12 VDC (6.0 to 13.8)  
24 VDC (12.0 to 27.6)

**WIRING SCHEMATIC:**

Yellow wire = Positive  
Black wire = Negative  
Green wire = Tach Sensor Output (Open Collector) 2 pulses per revolution. Limit to 10mA maximum (by customer's pull up resistor)  
Blue wire = PWM Signal - Speed Control (Speed change is linear to duty cycle change)



**PERFORMANCE CURVES:** (Obtained with test chamber and methods in accordance with AMCA Std. 210-74)



**SPECIFICATIONS:**

**\*\*Typical Current - Running**

| PART NUMBER   | VOLTS (DC) | CURRENT ** (AMPS) | WATTS | SPEED (RPM) | NOISE dB (A) | AIRFLOW (CFM) |
|---------------|------------|-------------------|-------|-------------|--------------|---------------|
| US402812HSFM  | 12         | 0.21              | 2.52  | 8500        | 45.4         | 14.9          |
| US402812VHSFM | 12         | 0.40              | 4.80  | 11500       | 54.3         | 20.5          |
| US402812XHSFM | 12         | 0.52              | 6.24  | 13000       | 57.9         | 23.4          |
| US402824HSFM  | 24         | 0.13              | 3.12  | 8500        | 45.4         | 14.9          |
| US402824VHSFM | 24         | 0.21              | 5.04  | 11500       | 54.3         | 20.5          |
| US402824XHSFM | 24         | 0.34              | 8.16  | 13000       | 57.9         | 23.4          |