



**U.S. TOYO
FAN CORP.**

USTF6030 Series AC / Ball Bearing Fans

4941 Walnut Grove Ave., San Gabriel, CA 91776
(626) 287-5297
E-mail: sales@ustoyofan.com

FAX (626) 287-5328
www.ustoyofan.com

USTF 6030 Series

Size: 2.36 in sq. x 1.18 in. thk
(60mm sq. x 30mm thk.)

Airflow: 11 CFM

Acoustical Noise: 29 dB (A)

MATERIAL: Frame - Aluminum Alloy, Painted Black Finish
Bearings - Sealed Ball
Impeller - UL94V-0 Plastic

WEIGHT: 5.0 oz. (140g)

TERMINATION: Lead wires standard

OPERATION TEMPERATURE: -10° to +70° C

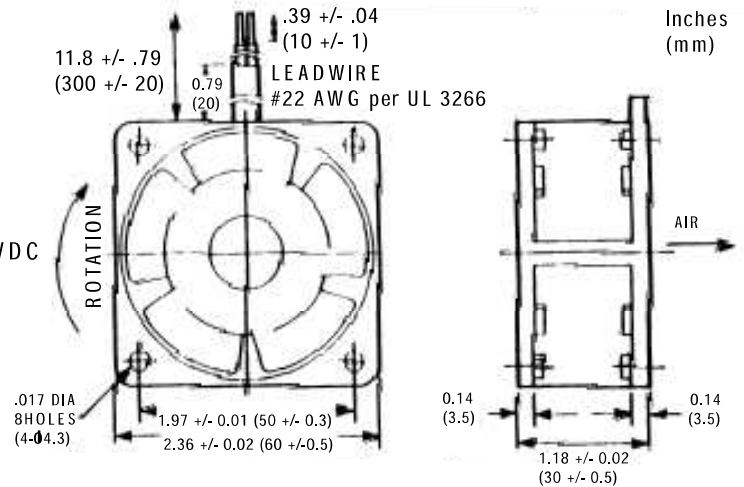
INSULATION RESISTANCE: 100,000 Ohms min @ 500 VDC

DIELECTRIC STRENGTH: 500 VAC for 1 min.

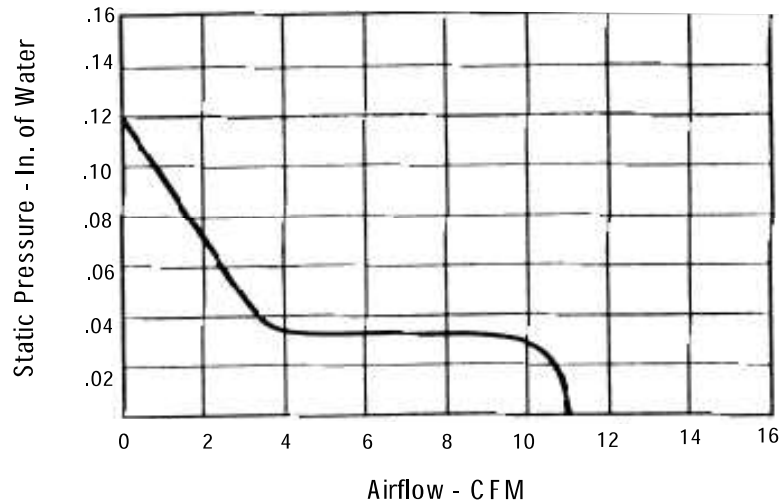
INSULATION: Class A

SAFETY: Impedance Protected

SAFETY APPROVALS: UL, CSA, & CE



PERFORMANCE CURVES: (Obtained with test chamber and methods in accordance with AMCA Std. 210-74)



SPECIFICATIONS: (Based on 60 Hz Frequency)

PART NUMBER	VOLTS	WATTS	mAMPS	RPM	NOISE dB (A) @ 1M	CFM
USTF60301153W	115	4.0	44	3000	29	11

NOTE: Standard models with wire leads. Terminals available on request.