

# TSCM WALL MOUNT

## TRIPLE STUD ADJUSTABLE YOKE WALL MOUNT

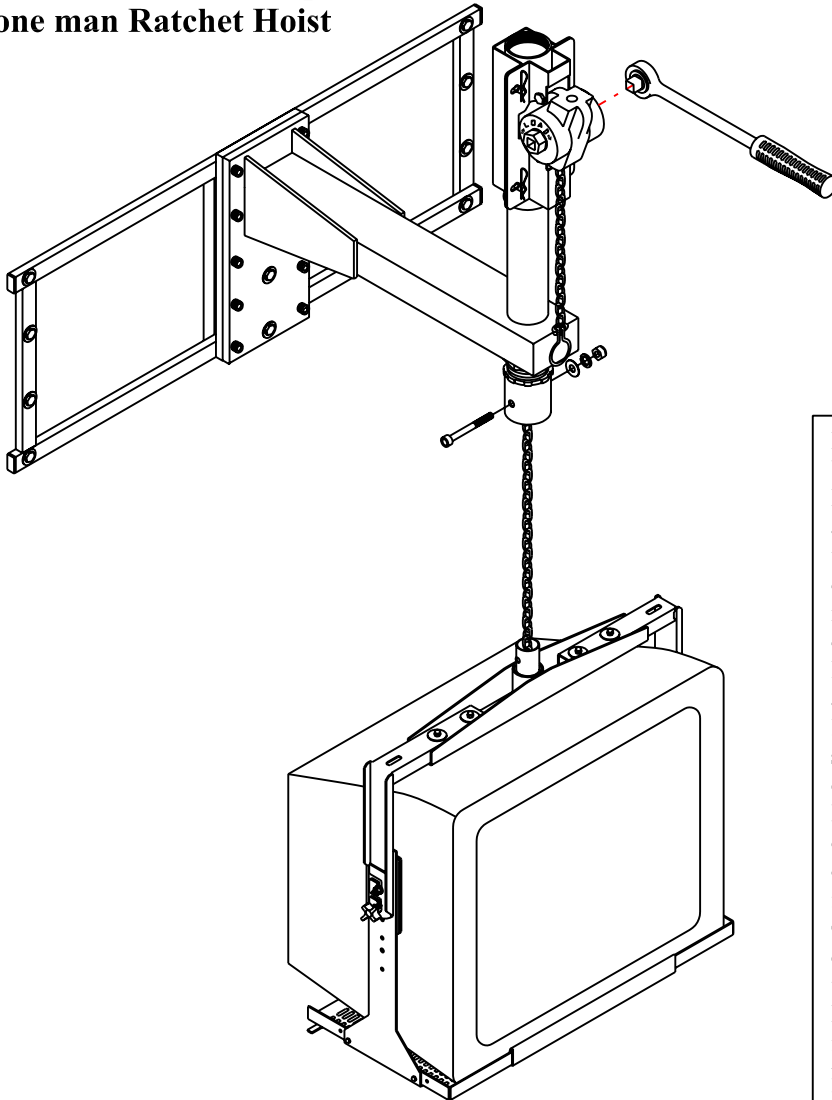
**SAFETY TIP:**

Lucasey's one man ratchet hoist can make raising of heavy monitors a simple and safe procedure. (See Page 4 for Details)



**CAUTION:** Not all TVs are compatible with this mount. Do Not use this mount if your TV has severely rounded edges or sides that do not allow at least 75% contact with adhesive/pressure pads.

**TSCM Shown with optional one man Ratchet Hoist**



**NOTE:** For installation where rotation is not desired apply a thread bonding agent to pipe threads (thread locking agent included with mount).

**RECOMMENDATIONS:** Pre-assemble the ACM directly below the triple stud arm. Clear the area of obstacles before assembly and raising of the TV mount assembly.

**LIMITED WARRANTY**

LUCASEY MANUFACTURING MAKES NO WARRANTY OF ANY KIND, EXPRESS OR IMPLIED except that the goods sold under this agreement shall be free of defects in material and workmanship for a period of one year from the user's date of purchase. User assumes risk and liability resulting from the use of the goods, whether used singly or in combination with other goods. Lucasey Manufacturing Corporation neither assumes nor authorizes any other person to assume for it any other liability in connection with the sale or use of the goods sold and there are no oral agreements or warranties collateral to or affecting this limited warranty. Lucasey Manufacturing Corporation will repair or replace defective parts or equipment within one year of the date of purchase, at its option, provided the part or equipment is returned prepaid to Lucasey Manufacturing Corporation's plant. NO allowance for outside labor charges are implied within the terms of this limited warranty. Under no circumstances will Lucasey Manufacturing Corporation be responsible for special, indirect or consequential damages. The remedies set forth in this Limited Warranty are exclusive and the liability of Lucasey Manufacturing Corporation with respect to any contract or sale or anything done in connection therewith, whether in contract, in tort, under any warranty or otherwise shall not, except as expressly provided herein, exceed the price of the equipment or part on which such liability is based. Any damage caused by the improper use, operation beyond capacity, substitution of parts or equipment not approved by Lucasey Manufacturing Corporation, improper packaging, failure to observe installation or other instructions, transit, or repair by any other than Lucasey Manufacturing Corporation, will not be covered by and shall void this Limited Warranty.

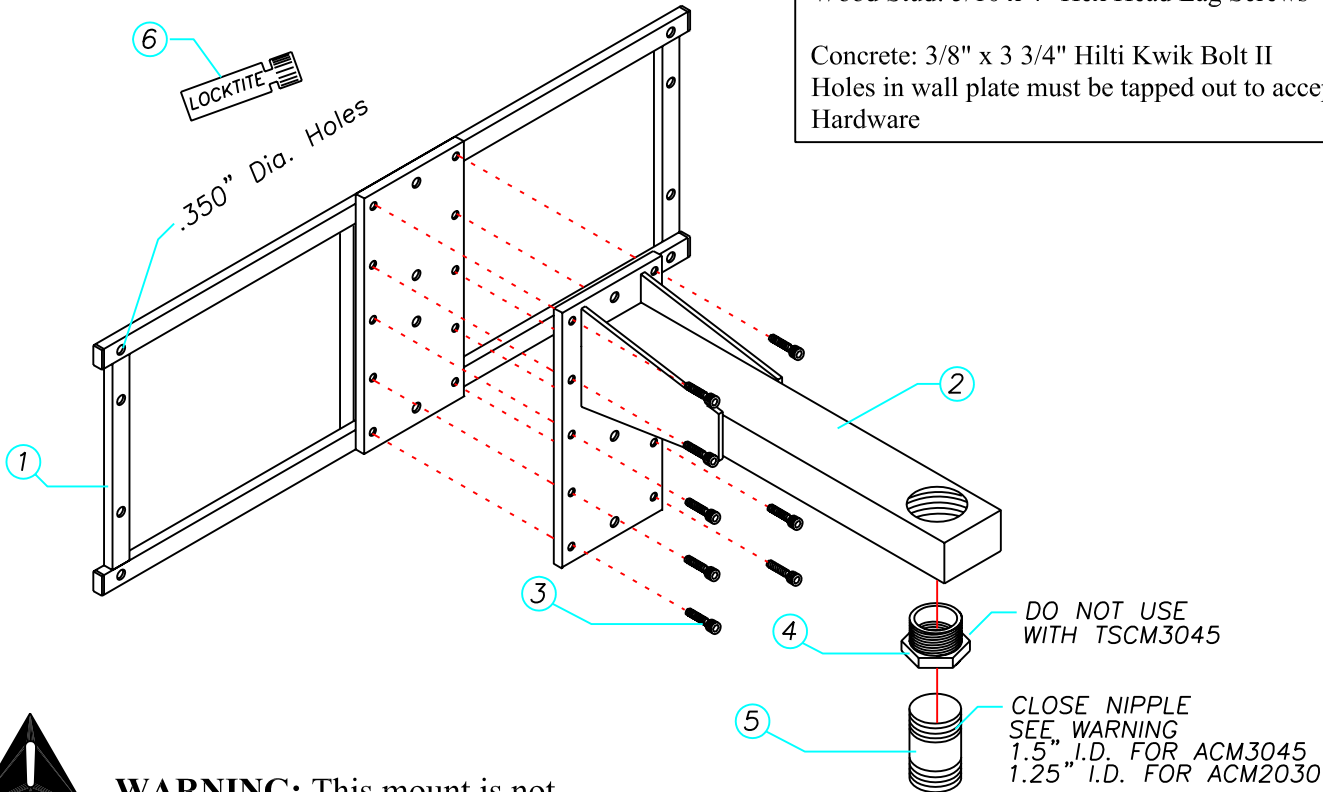
Protected under one or more of these U.S. Patent numbers: 3,291,432 3,559,942 3,724,798 DES.270,689 4,613,109 4,878,645 4,852,842 DES.309,562 4,973,023 5,169,114 5,255,884 5,310,152 5,522,576 5,621,614 Re.35,677 DES.398,834 5,826,384 5,941,492 5,964,068 6,060,661 6,102,398

### Mounting Hardware Required

Metal Stud: 1/4" x 2 1/2" Hilti Toggler Bolts  
 Lucasey Part#WMATB12 (Studs no taller than 14')

Wood Stud: 5/16 x 4" Hex Head Lag Screws

Concrete: 3/8" x 3 3/4" Hilti Kwik Bolt II  
 Holes in wall plate must be tapped out to accept 3/8" Hardware



**WARNING:** This mount is not designed for use with a longer pipe nipple. Using a longer pipe could cause instability and/or mount failure.

ITEM	DESCRIPTION	PART #	QTY
1	TSCM WALL PLATE	0310014990	1
2	TSCM ARM	0310014991	1
3	5/16-18 X 3/4" SOCKET HEAD CAP SCREW	0620230376	10
4	1.5" TO 1.25" REDUCER COUPLING	0651111050	1
5	CLOSE NIPPLES 1 1/4" & 1 1/2" I.D.s	0420001530 0420001530	1 1
6	THREAD LOCKING AGENT	0901100025	1



**WARNING:** Do Not attempt installation of this mount if recieved incomplete or damaged in any way. Obtain replacement items through your Lucasey distributor.  
 LUCASEY MFG. CORP. (510) 534-1435

## WALL ATTACHMENT



Attachment should be performed by qualified installers only, using construction methods prescribed by authorized architects or engineers that apply to all applicable codes and standards. While Lucasey Mfg. Co. guarantees the quality and workmanship of their products (see warranty on front cover) they assume no responsibility for on site installation.

1. Attach backplate to wall following installation instructions supplied with your hardware kit.

### Mounting Hardware Required

Metal Stud: 1/4" x 2-1/2" Hilti Toggler Bolts Part#WMATB12

**Metal studs should not be taller than 14'**

Wood Stud: 5/16" x 4" Hex Head Lag Bolts

\*Concrete: 3/8" x 3-3/4" Hilti Kwik Bolt II

\*Holes must be tapped out to accept 3/8" hardware.

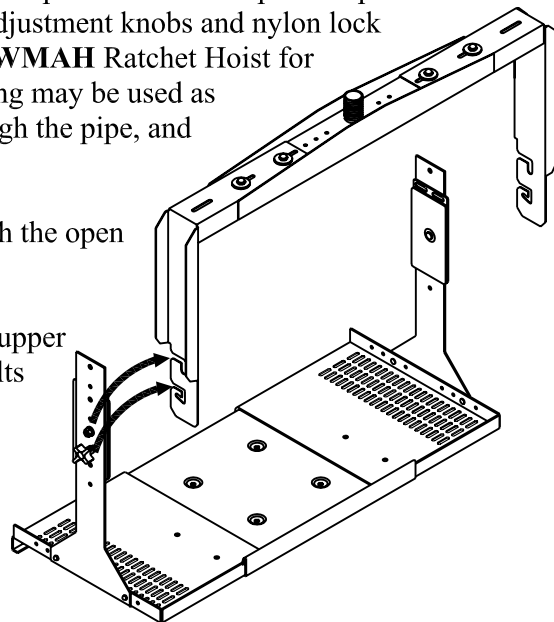
2. Attach arm to wall plate using ten 5/16-18 x 3/4" socket head cap screws as shown.
- 3A. *Pipe Nipple Only*: Apply thread locking agent to the end of threads on pipe nipple that is to be screwed into arm assembly.
- 3B. *Pipe Nipple with Coupling*: Apply thread lock to outside and inside threads of reducer coupling. Screw coupling into arm and pipe nipple into coupling.
4. Attach center yoke to pipe nipple and use as a leverage tool to screw pipe nipple into arm.

## RAISING OF THE MONITOR

**NOTE:** Refer to ACM/ATLAS instructions for details on yoke mount assembly.

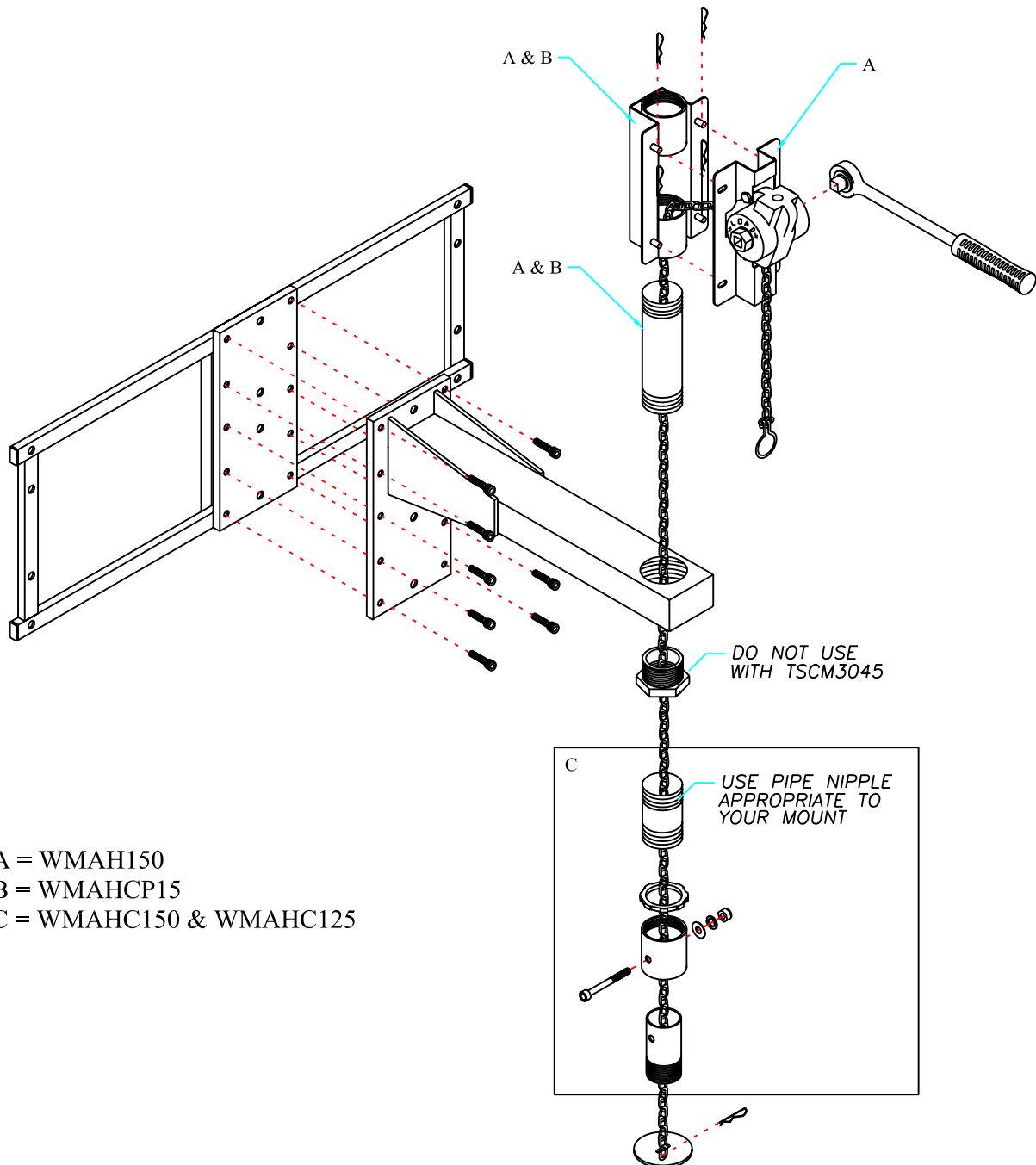
**STOP:** If you are using the **WMAH** One Man Ratchet Hoist skip steps 5 & 6 and complete steps 7 & 8 on the floor. Set the tilt at zero degrees and tighten the tilt adjustment knobs and nylon lock nuts to stabilize the mount for raising. Proceed to instructions for **WMAH** Ratchet Hoist for installation and raising of monitor. When removed the hoist housing may be used as an access hole for the cords to be fed down from the ceiling, through the pipe, and to the monitor.

5. Assemble and attach the upper yoke section to the pipe nipple with the open ends of yoke side arm slots facing the wall.
6. Lift the lower portion of the mount, with attached monitor, to the upper yoke assembly. Hook the lower portion onto the yoke with the bolts from adhesive side plates protruding through lower side arms into hooked slots on upper side arms.
7. Move yoke side arms inward until the yoke arms are lined up vertically to platform side arms. If necessary a rubber mallet may be used to force side arms inward. Securely tighten nylon lock nuts on carriage bolts. Tighten adjustment knobs and nylon lock nuts on adhesive pads.
8. If monitor is to be tilted, loosen knobs and lock nuts, pull the platform backwards until desired tilt is obtained. Securely retighten knobs and locknuts.



# Hoist Accesories For TSCM.

MODEL	DWG REF.	DESCRIPTION	ACM Sizes
WMAH150	A	HOIST, 1.5" HOUSING. & 6" PIPE	ALL TS
WMAHCP15	B	1.5" HOUSING & 6" PIPE	ALL TS
WMAHC150	C	COUPLE-UP KIT	TSCM3045 & TSCM304L
WMAHC125		COUPLE-UP KIT	TSCM2030 & TSCM203L TSCM2333 & TSCM233L



A = WMAH150  
 B = WMAHCP15  
 C = WMAHC150 & WMAHC125