

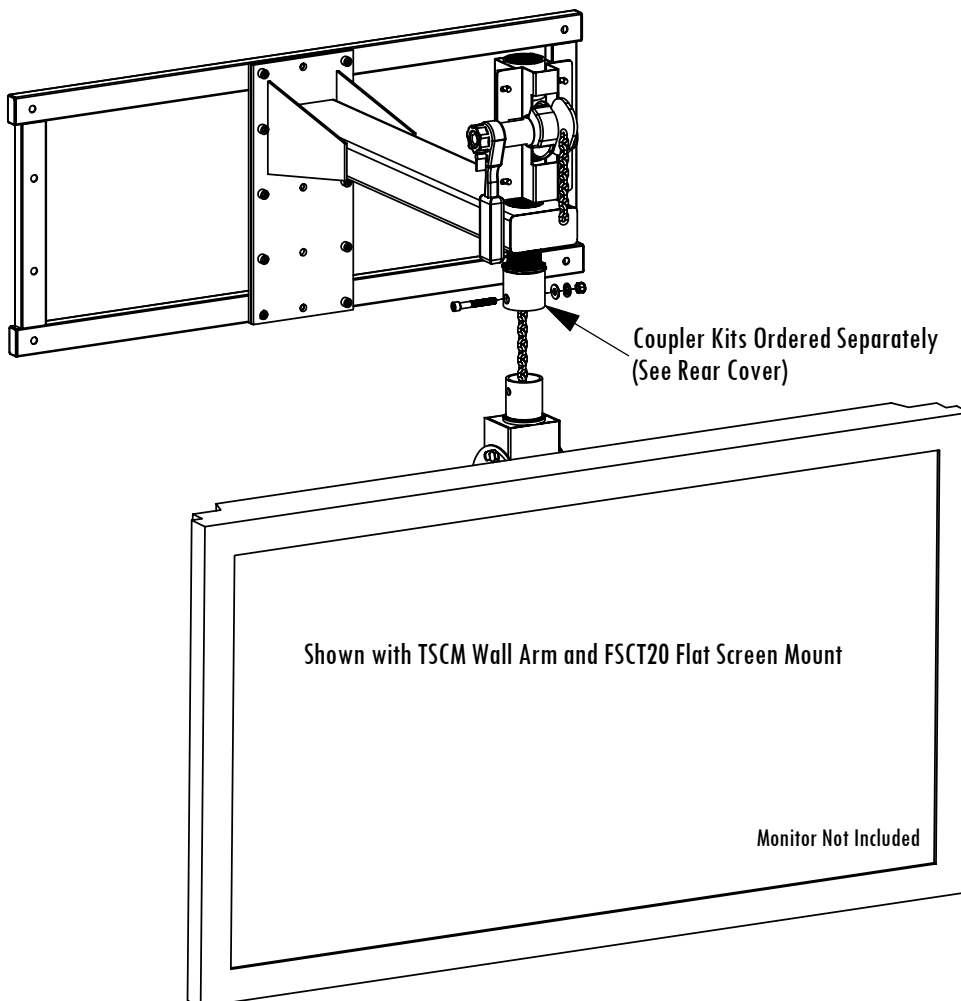
WMAH RATCHET HOIST

- 1) Read warnings and perform safety inspection before every usage. DO NOT use hoist if damaged.

Assemble the TV Mount directly below the installed arm. The TV Mount should be at 0° tilt. Tighten any tilt adjustment hardware to prevent slippage.

Pre-assemble the pipe, coupling and hoist components on the floor (See illustration on inside cover).

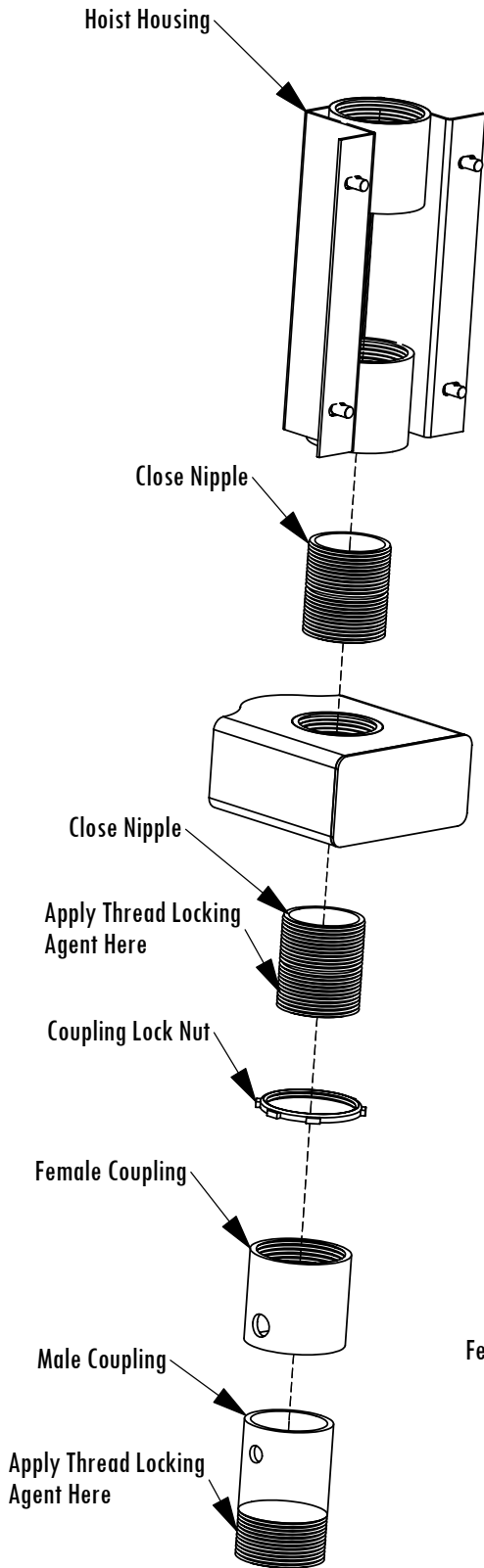
Wall attachment should be performed by qualified installers only, using construction methods prescribed by authorized architect or engineers and that comply with all applicable codes and standards. While Lucasey Mfg. Co. guarantees the quality and workmanship of their products they assume no responsibility for on-site installation.



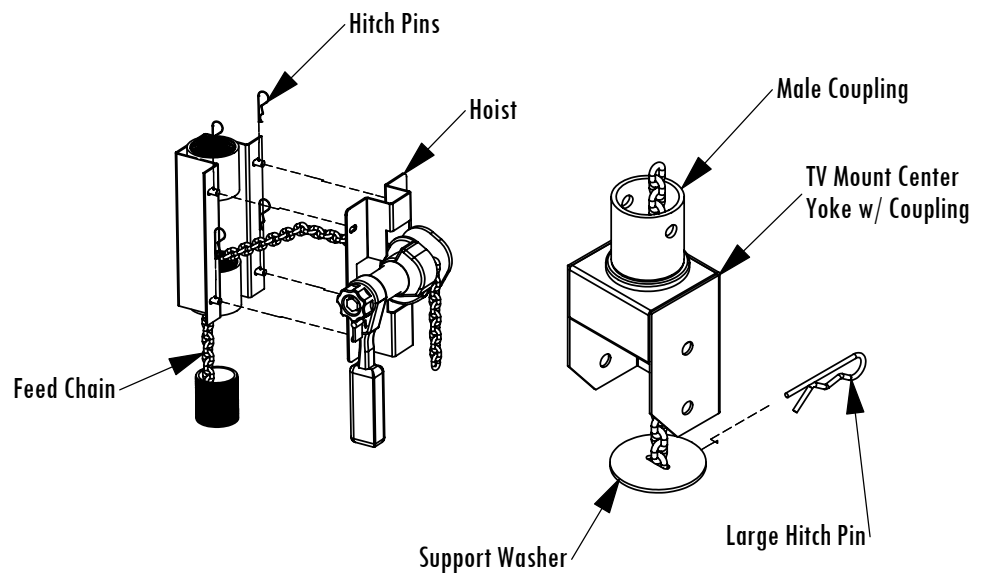
LUCASEY MANUFACTURING MAKES NO WARRANTY OF ANY KIND, EXPRESS OR IMPLIED except that the goods sold under this agreement shall be free of defects in material and workmanship for a period of one year from the user's date of purchase. User assumes risk and liability resulting from the use of the goods, whether used singly or in combination with other goods. Lucasey Manufacturing Corporation neither assumes nor authorizes any other person to assume for it any other liability in connection with the sale or use of the goods sold and there are no oral agreements or warranties collateral to or affecting this limited warranty. Lucasey Manufacturing Corporation will repair or replace defective parts or equipment within one year of the date of purchase, at its option, provided the part or equipment is returned prepaid to Lucasey Manufacturing Corporation's plant. NO allowance for outside labor charges are implied within the terms of this limited warranty. Under no circumstances will Lucasey Manufacturing Corporation be responsible for special, indirect or consequential damages. The remedies set forth in this Limited Warranty are exclusive and the liability of Lucasey Manufacturing Corporation with respect to any contract or sale or anything done in connection therewith, whether in contract, in tort, under any warranty or otherwise shall not, except as expressly provided herein, exceed the price of the equipment or part on which such liability is based. Any damage caused by the improper use, operation beyond capacity, substitution of parts or equipment not approved by Lucasey Manufacturing Corporation, improper packaging, failure to observe installation or other instructions, transit, or repair by any other than Lucasey Manufacturing Corporation, will not be covered by and shall void this Limited Warranty.

**For Technical Assistance Call:
1-800-LUCASEY**

WMAH RATCHET HOIST



- 2) Thread close nipple & hoist housing securely into top of wall arm.
- 3) Apply thread locking agent to one side of close nipple and thread into bottom of wall arm.
- 4) Place coupling lock nut and female coupling onto close nipple.
- 5) Apply thread-locking fluid to the male coupling threads. Thread it into the top center coupling of the ACM yoke, (TV should already be installed and secure in the yoke-style mount, refer to mount assembly).
- 6) Feed the Hoist chain through the housing and Wall Mount Arm assembly. Position hoist on studs of Hoist Housing and secure with the four hitch pins.
- 7) Use the Ratchet to ratchet down the hoist chain.
- 8) Guide the chain down to and through the male coupling & yoke assembly.
- 9) Slip the support washer onto the last chain link and fasten securely with the large hitch pin.



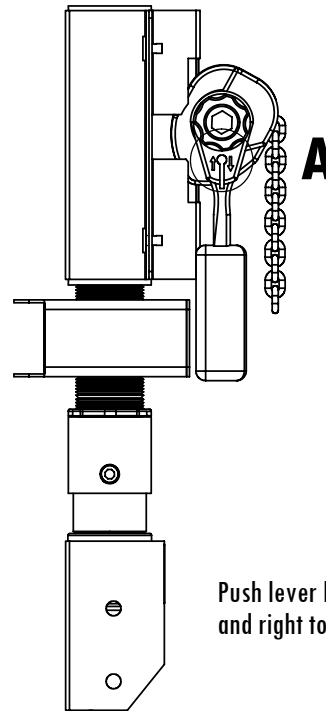
WMAH RATCHET HOIST

Apply Lithium Grease on Smooth Surface



Important! Apply lithium grease to male coupling to avoid binding friction

- 10) Check to be sure the ladder and other objects are clear and will not come in contact with the mount assembly during raising. Use ratchet with the arrow switch up. Ratchet the TV / Mount assembly upward.
- 11) Ratchet up slowly and guide the male coupling into the female coupling.
- 12) Rotate and align coupling holes. One side of the female coupling will have a large diameter hole, insert the 5/16-18 x 2-1/2" socket head cap bolt into coupling from this side. Secure bolt with flat washer, lock washer and nylon lock nut. Tighten firmly.
- 13) Loosen coupling lock nut to adjust swivel as desired. Retighten.
- 14) Switch ratchet to the down arrow to unload. Ratchet chain down and remove large hitch pin and support washer when clear.
- 15) To remove, take out the four hitch pins and remove the chain and hoist. Unscrew and remove the housing & close nipple. Save for the next installation or future servicing.
- 16) Double check and tighten any loose hardware or components.



Push lever left to ratchet down and right to ratchet up.

WMAH125 / WMAH150 are covered under one or more of the following patents: DES 309, 562-5, 169,114-5, 310,152-5, 255,884

The LUCASEY logo is a trademark of Lucasey Manufacturing Co., registered in the U.S.A. Printed in the U.S.A.

NOTE: WMAH125 / WMAH150 units as well as any ancillary equipment used in conjunction with or in support of these units should be installed by qualified professional personnel using accepted techniques and all the recommended installation hardware and guidelines.

WARNINGS

DO NOT use if hoist halves are separating. Separation indicates the hoist was overloaded or damaged.
DO NOT lift more than 300 lbs. (230 kg).
DO NOT use if hoist, chain links or other components are twisted, kinked or damaged.
DO NOT use if chain stops feeding. Move ratchet to other side of hoist and eliminate all slack from the chain. Correct the problem and proceed again **ONLY** when the chain is feeding safely.
DO NOT operate hoist if people are standing beneath it.

DO NOT lift people.
DO NOT wrap chain around load or use chain as a sling.
DO NOT let load come in contact with other objects.
DO NOT lift loads at angles. Center the load below the hoist before lifting.
DO NOT add an extension to the wrench handle, Hand pulls will lift 300 lbs. with little effort. If you are experiencing difficulty, stop and call for assistance.

