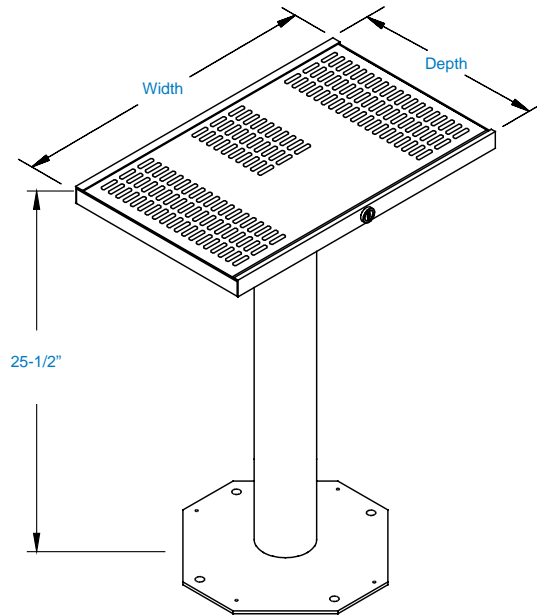




PC41200 Series

LOCKING 24" HEAVY LOAD PEDESTAL MOUNT



MODEL	PLATFORM WIDTH	PLATFORM DEPTH	LOAD LIMIT (lbs)	RESTRICTABLE SWIVEL	TILT	HEIGHT	BLACK WRINKLE	SHIP. WT. (lbs)	FAST SHIP
PC41200	19"	12"	125	360°	0°	25-1/2"	•	26	•
PC41201	15"	12"	125	360°	0°	25-1/2"	•	25	•
PC41202	23"	11"	125	360°	0°	25-1/2"	•	28	•
PC41203	22"	14"	125	360°	0°	25-1/2"	•	31	•
PC41204	25"	14"	125	360°	0°	25-1/2"	•	37	•
PC41205	18"	18-1/2"	125	360°	0°	25-1/2"	•	32	•
PC41207	17"	12"	125	360°	0°	25-1/2"	•	26	•
PC41208	14"	11"	125	360°	0°	25-1/2"	•	25	•
PC41210	10"	12"	125	360°	0°	25-1/2"	•	24	•
PC41212	12"	11"	125	360°	0°	25-1/2"	•	25	•
PC41215	15"	15"	125	360°	0°	25-1/2"	•	27	•
PC41220	20"	9"	125	360°	0°	25-1/2"	•	25	•
PCDRING								optional 18" diameter Dress Ring	• 8 •

NOTES:

- 4" diameter column. Positive pin tumbler barrel lock.
- Leveling and anchor hardware for wood and concrete floors included.
- Custom heights available.

1-800-LUCASEY