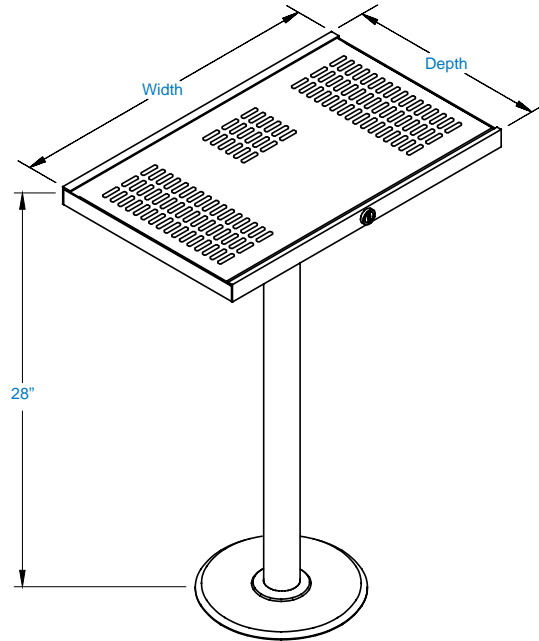




P452800 Series

LOCKING 28" PEDESTAL MOUNT WITH DRESS RING



MODEL	PLATFORM WIDTH	PLATFORM DEPTH	LOAD LIMIT (lbs)	RESTRICTABLE SWIVEL	TILT	HEIGHT	BLACK WRINKLE	SHIP. WT. (lbs)	FAST SHIP
P452800	19"	12"	65	360°	0°	28"	•	23	•
P452801	15"	12"	65	360°	0°	28"	•	20	•
P452802	23"	11"	65	360°	0°	28"	•	24	•
P452803	22"	14"	65	360°	0°	28"	•	25	•
P452804	25"	14"	65	360°	0°	28"	•	26	•
P452805	18"	18-1/2"	65	360°	0°	28"	•	27	•
P452807	17"	12"	65	360°	0°	28"	•	22	•
P452808	14"	11"	65	360°	0°	28"	•	21	•
P452810	10"	12"	65	360°	0°	28"	•	23	•
P452815	15"	15"	65	360°	0°	28"	•	23	•
P452820	20"	9"	65	360°	0°	28"	•	23	•

NOTES:

- 2-1/4" diameter pedestal.
- Positive pin tumbler barrel lock.
- Dress ring included for above rug installation.
- Anchor hardware for wood and concrete floors included.

1-800-LUCASEY