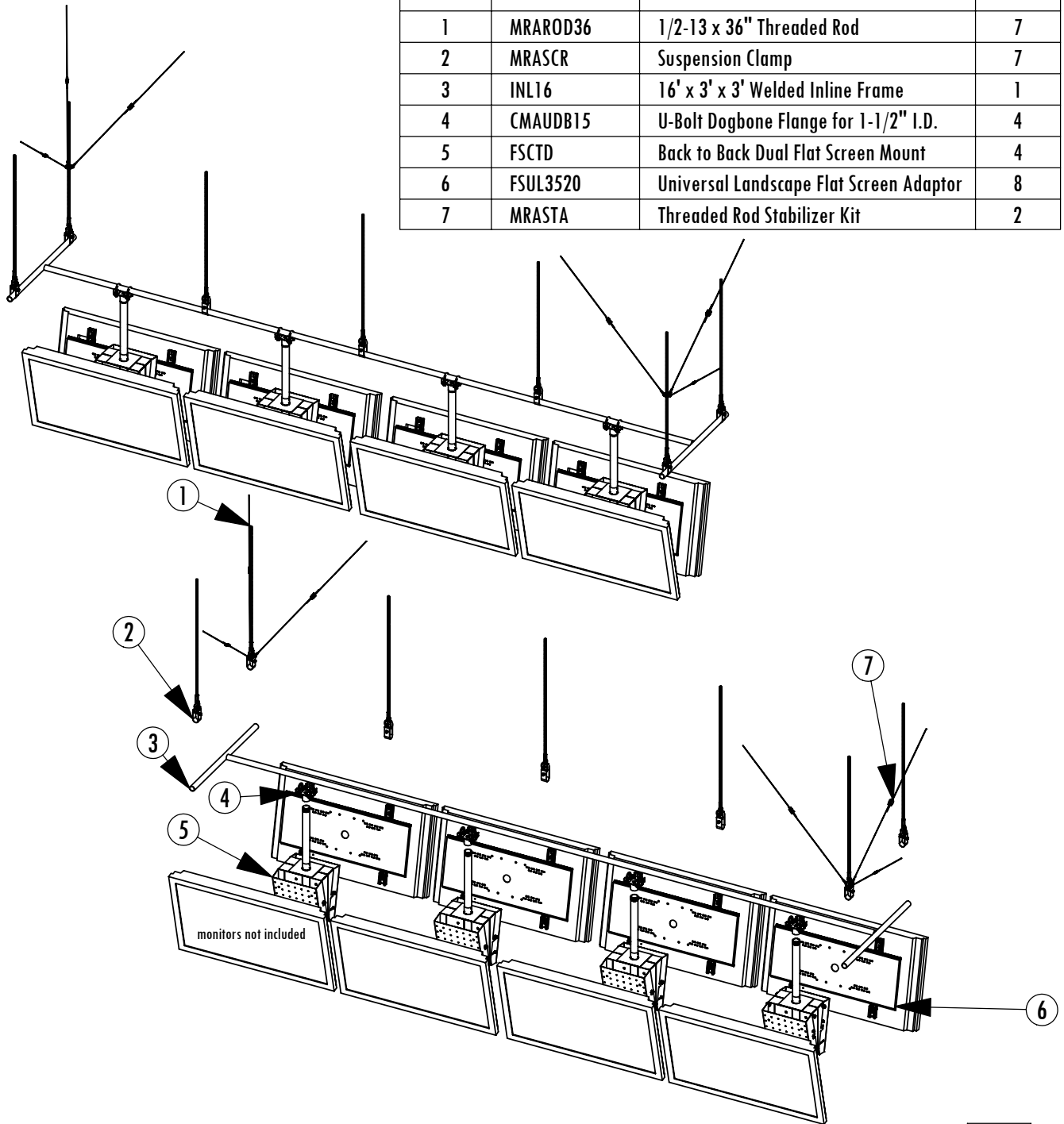


# INL16FD4

## 16' Inline Suspension System

### Back to Back Flat Screen Displays with 8 Monitors

ITEM #	PART #	DESCRIPTION	QTY
1	MRAROD36	1/2-13 x 36" Threaded Rod	7
2	MRASCR	Suspension Clamp	7
3	INL16	16' x 3' x 3' Welded Inline Frame	1
4	CMAUDB15	U-Bolt Dogbone Flange for 1-1/2" I.D.	4
5	FSCTD	Back to Back Dual Flat Screen Mount	4
6	FSUL3520	Universal Landscape Flat Screen Adaptor	8
7	MRASTA	Threaded Rod Stabilizer Kit	2



**1-800-LUCASEY • 1-510-534-1435**

©2005 Lucasey Manufacturing Corporation, Oakland, California

