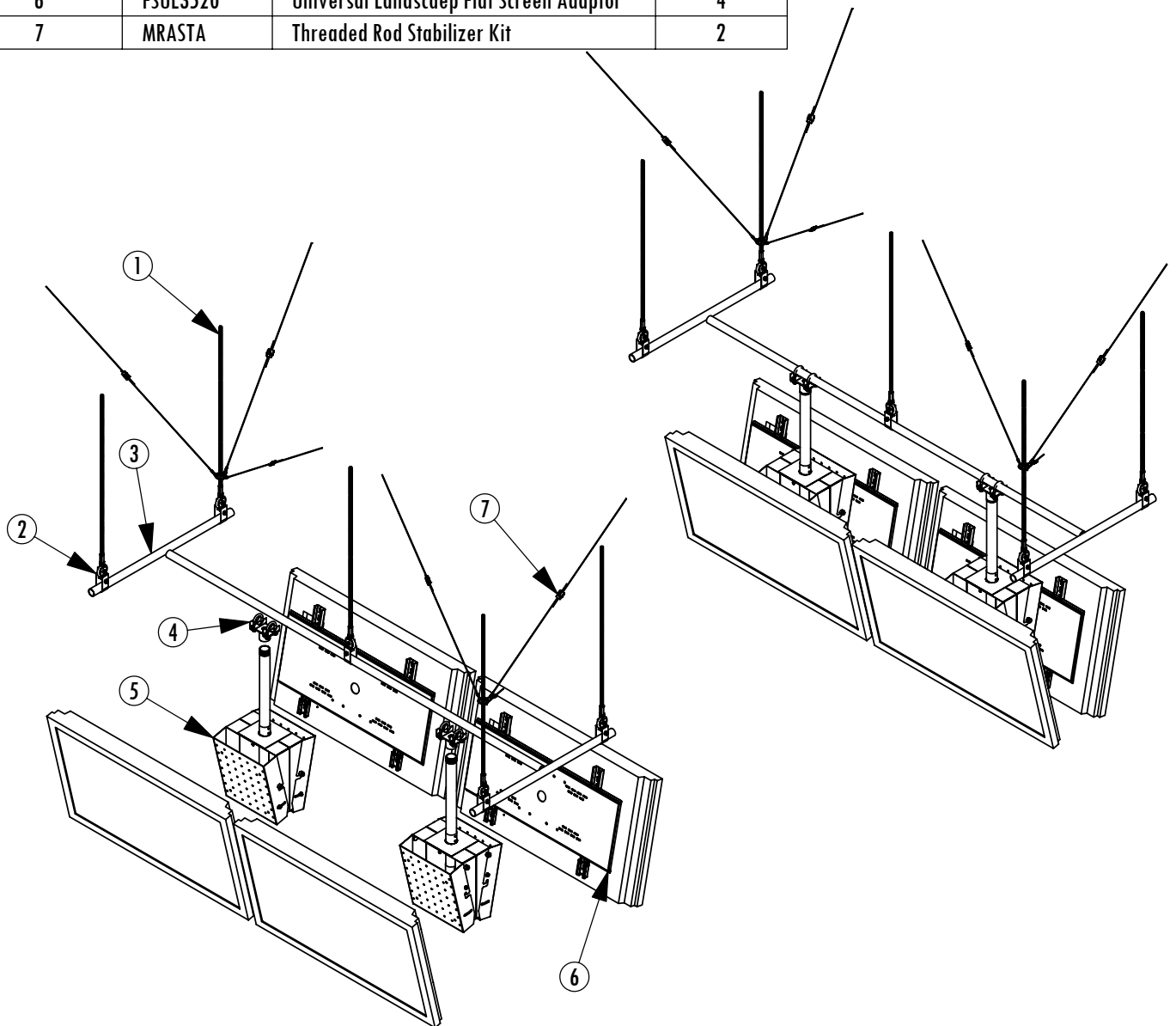


INL08FD2

8' Inline Suspension System

Back to Back Flat Screen Displays with 4 Monitors

ITEM #	PART #	DESCRIPTION	QTY.
1	MRAROD36	1/2-13 x 36" Threaded Rod	5
2	MRASCR	Suspension Clamp	5
3	INL08	8' x 3' x 3' Welded Inline Frame	1
4	CMAUDB	Ubolt Flange for 1-1/2" I.D. Pipe	2
5	FSCTD	Back to Back Flat Screen Mounts	2
6	FSUL3520	Universal Landscap Flat Screen Adaptor	4
7	MRASTA	Threaded Rod Stabilizer Kit	2



1-800-LUCASEY • 1-510-534-1435

©2006 Lucasey Manufacturing Corporation, Oakland, California

