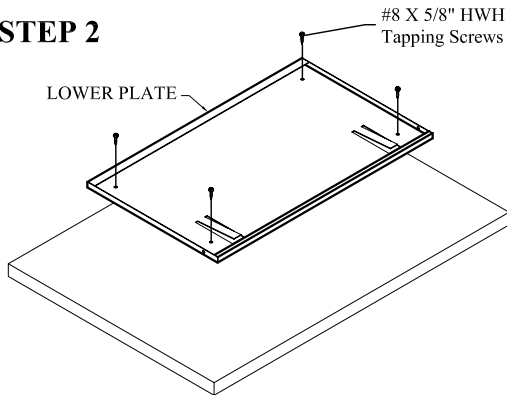


2132Z

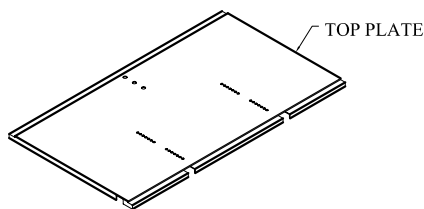
For Zenith Model #H32F36DT

1. Pre assemble platforms and become familiar with release mechanism operation before actual installation. See step #5-7 for details.
2. Determine the best possible permanent viewing position for the TV. Mark the position of the plate on the countertop.
3. Drill 1/8" pilot holes in the four mounting hole locations and attach the bottom plate to the furniture with four #8 x 5/8" HWH tapping screws.
4. Attach top plate to TV with four #10 x 1/2" HWH Tapping Screws.
5. Turn monitor right side up. Slip upper plate (with attached monitor) into lower plate, and under the lip at back of lower plate.
6. Pull forward on TV and upper plate until you hear a click. Try to slide TV back and up to verify that plates are locked and secure.
7. To release platform, insert release rods into side holes so that rod is on top of tongue, slide release rod to the right to depress tongue, leave rod in position. Repeat with other side of plate. With tongues depressed push TV/platform to rear and up to remove.

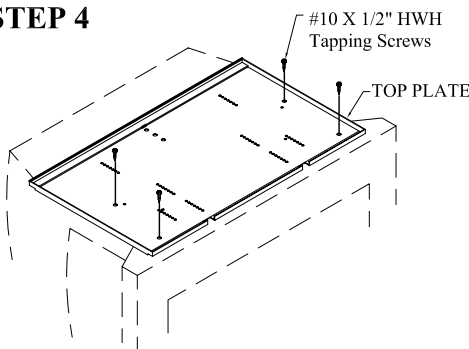
STEP 2



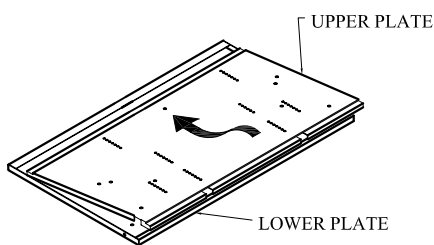
STEP 3



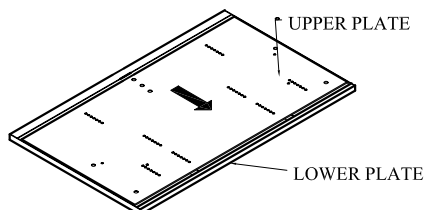
STEP 4



STEP 5



STEP 6



STEP 7 PLATFORM RELEASE

