

SLELCDR - Security Furniture Mount for Flat Screens

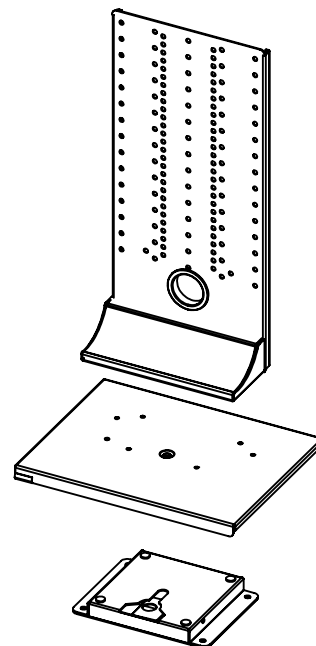
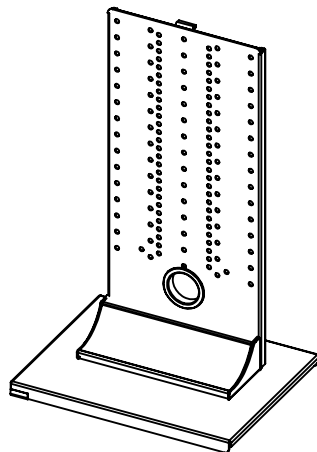
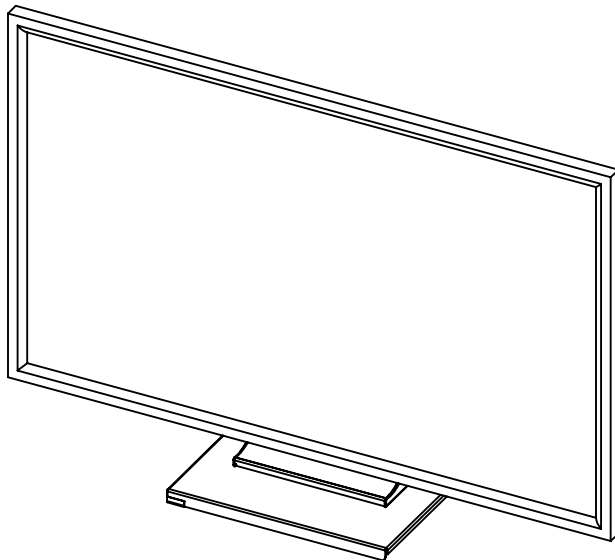
The SLELCDR security furniture mount is designed to secure 26" to 42" LCD TVs to the furniture. Note: Check with Lucasey Mfg. to make sure that the model of flat screen will fit on this furniture mount before ordering.

The SLELCDR has several security features which reduce the risk of the Flat Screens being removed without the proper security tools.

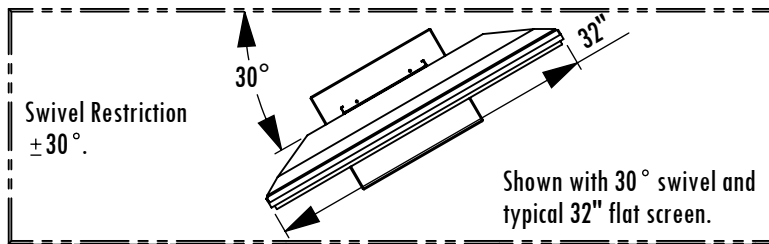
The security tools used for installation and removal of the Flat Screens are shipped separately from the mounts. Before attempting to install the mount, the installer must acquire a set of tools, part number SLELCDTK.

Unpack all of the components from the box and check against the component list below.

- 1 ... SLELCDR Detailed Installation Instruction
- 1 ... SLE Base
- 1 ... Rectangular SLE Rivet Plate
- 2 ... 100/200mm Spacers (3/4")
- 1 ... Top Plate
- 1 ... Back Cover
- 2 ... 1" Plastic Edge Protector
- 4 ... 4mm x 12mm Machine Screws (06-12410412)
- 4 ... 6mm x 12mm Machine Screws (06-12410612)
- 8 ... 1/4" Flat Washers (06-30101316)
- 8 ... 5mm Flat Washers (06-30150000)
- 4 ... 4mm x 40mm Setscrews (06-10800440)
- 8 ... 4mm Hex Nuts (06-40110040)
- 4 ... #10 x 3/4" SHWH Tapping Screws (06-11110075)



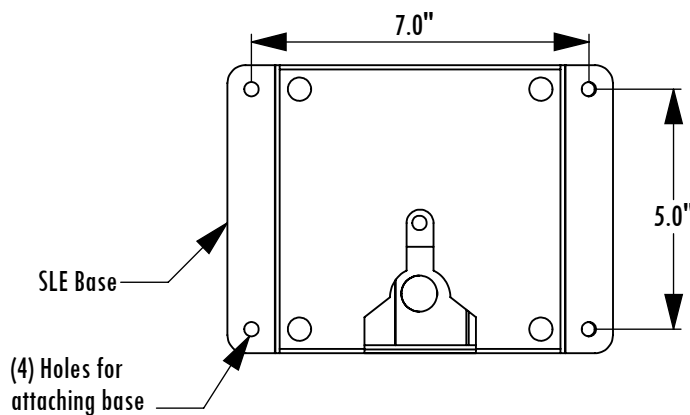
Furniture Placement



Determine the placement of the mount with the screen on the furniture before drilling holes to mount the base. Adequate clearance should be given to prevent the screen from hitting the wall behind the furniture when swiveled.

The swivel mechanism is restricted to 30 degrees left and right. The distance out from the wall needs to be determined with the model of screen that will be used for the installation.

Mark & Drill Holes Through Counter Top

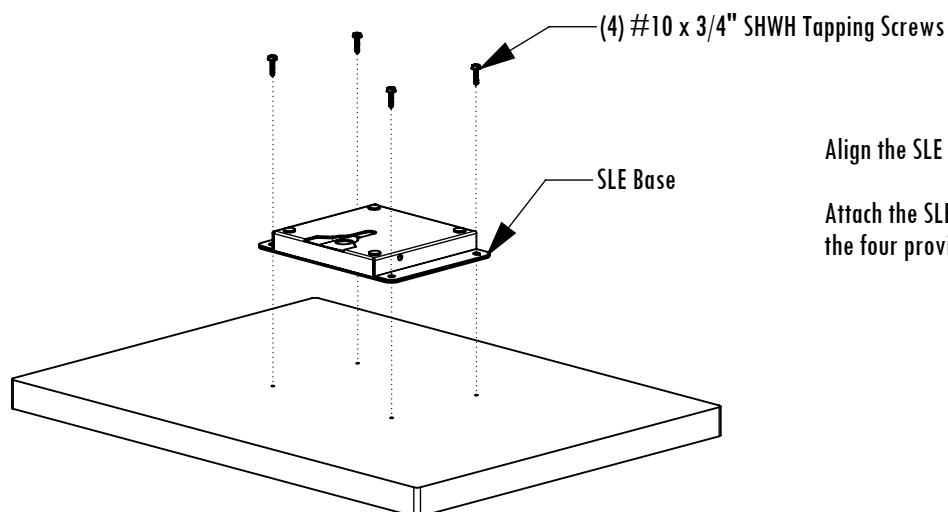


Determine the appropriate location on the furniture for the mount. Make sure to take into account the distance from the wall and the range of swivel needed for the installation.

Use the SLE Base as a template to mark the locations of the 6 holes needed in the counter-top for installation.

Drill 1/8" holes 3/4" deep into the countertop in the marked locations.

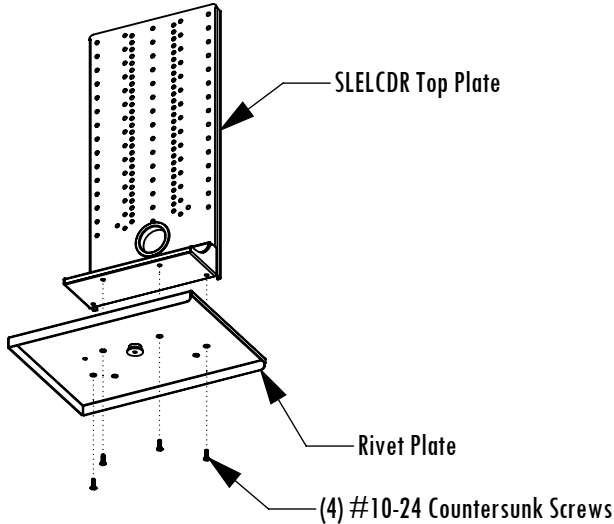
Attach SLE Base to Counter Top



Align the SLE Base with the holes on the Counter Top

Attach the SLE Base to the Counter Top using the four provided #10 x 3/4" .

Assemble Top Plate with Rivet Plate

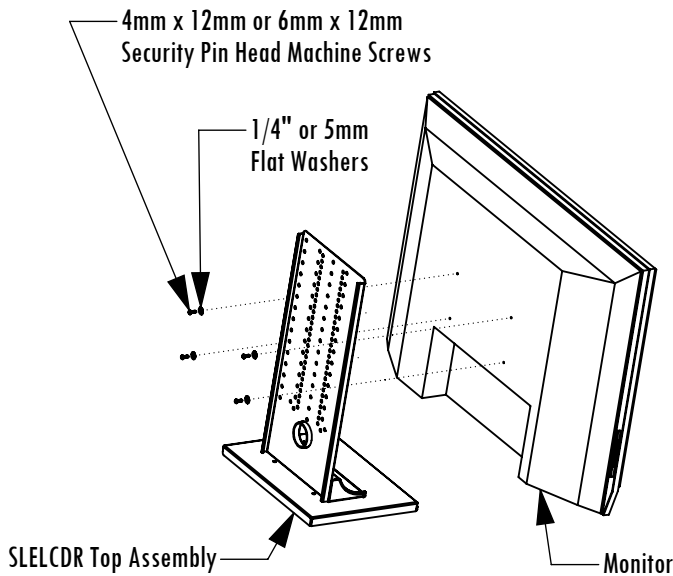


Assemble the Top Plate with the Rivet Plate as shown.

Align and screw together with four of the six provided #10-24 x 1/2" Countersunk Screws with Nylock Threads.

Leave the two holes at the back of the Rivet Plate empty until after the monitor is attached.

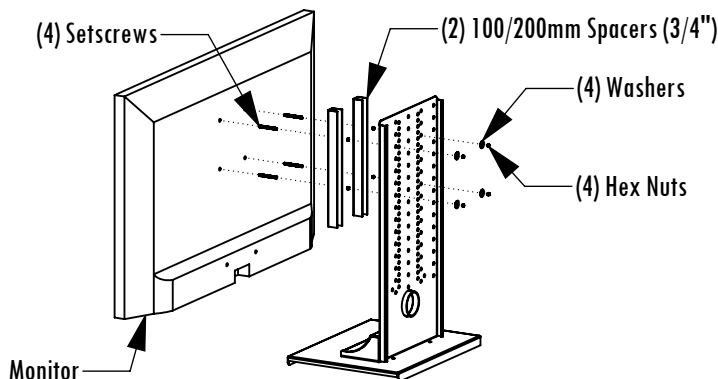
Attach Screen to Top Assembly



Align the SLELCDR Top Assembly with the mounting pattern on the back of the Monitor. Use the holes that will provide the proper elevation for the monitor.

Attach the monitor to the SLELCDR Top Assembly with the provided 6mm x 12mm or 4mm x 12mm Security Pin Head Machine Screws and 1/4" or 5mm Washers. A 5/32" hex key with a hole is required to install these screws and is shipped separately from the mount. (Contact Lucasey to order tool kit SLELCDTK-G6)

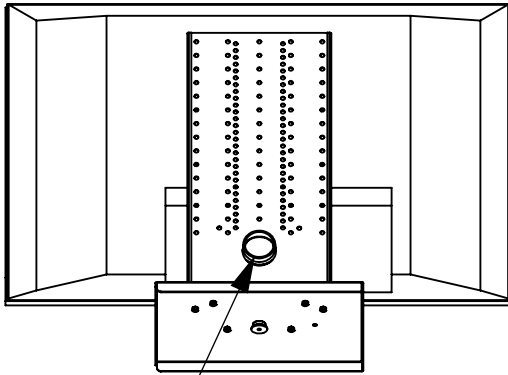
Attach Screen to Top Assembly (Option for Screens Requiring Spacers)



Align the SLELCDR Top Assembly with the mounting pattern on the back of the Monitor. Use the holes that will provide the proper elevation for the monitor.

Attach the monitor to the SLELCDR Top Assembly with the provided 4mm x 40mm Setscrews, 5mm Washers & Hex Nuts. Use the spacers between the Top Assembly and Monitor to provide a 3/4" gap for cord clearance or clearance of protrusions.

Route Monitor Cords Through Cord Hole



2" Cord Hole with Plastic Snap Ring

Route the monitor cords through the 2" center hole with a plastic snap ring.

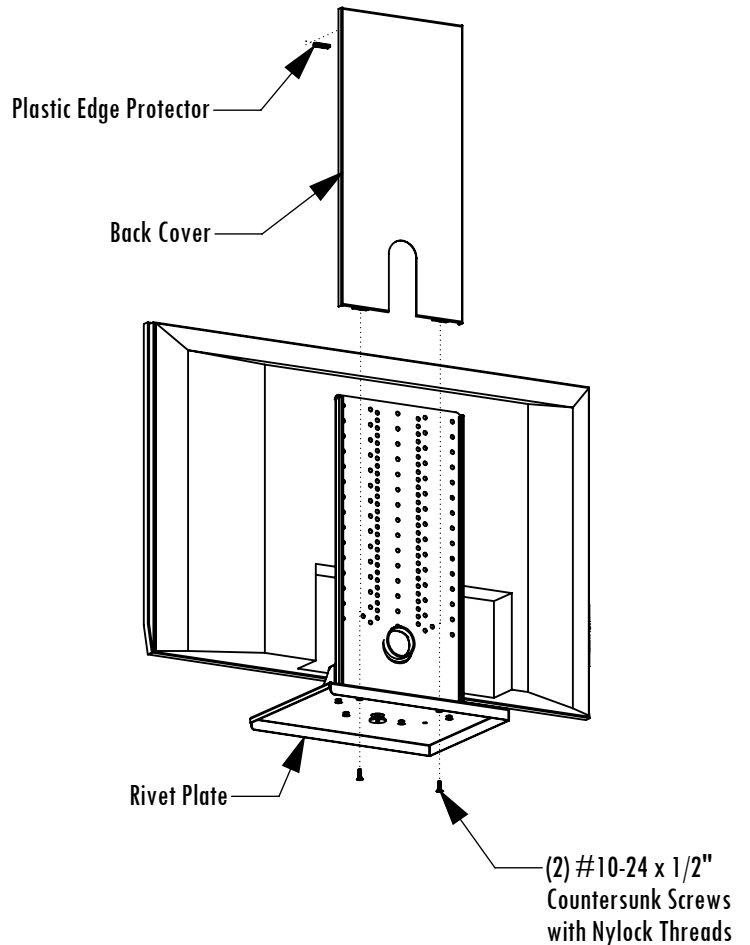
Before attaching the monitor to the Top Plate, connect the monitor cords as instructed in the monitor's user manual.

Attach Back Cover

Check to make sure the monitor is securely attached to the Top Plate Assembly.

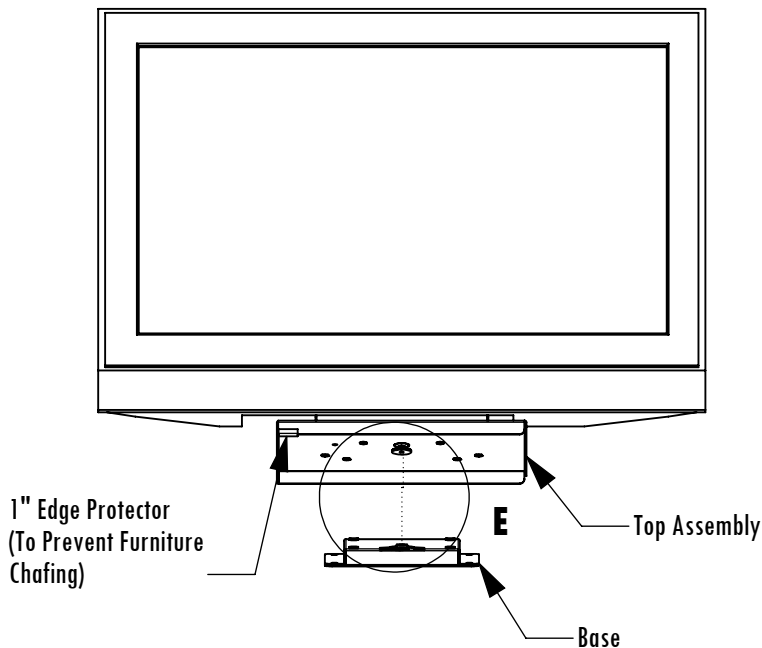
Slide the Plastic Edge Protector onto the center of the top edge of the Back Cover to dampen any noise from the metal parts.

Screw the Back Cover to the Rivet Plate using the remaining two #10-24 x 1/2" Countersunk Screws with Nylock Threads.

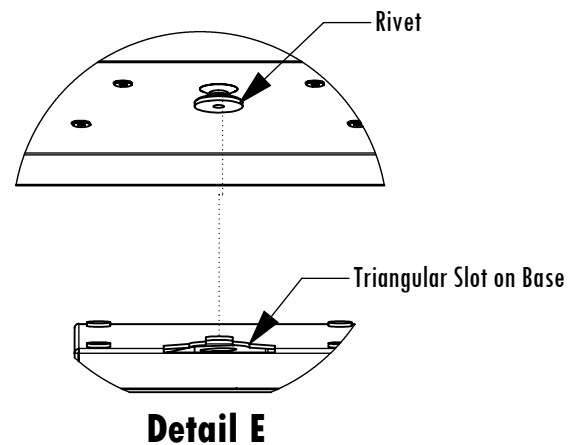


Protected under one or more of these U.S. Patent numbers: 3,291,432; 3,559,942; 3,724,798; DE.270,689; 4,613,109; 4,878,645; 4,852,842; DE.309,562,497; 5,023,519; 5,169,114; 5,255,884; 5,310,132; 5,522,576; 5,621,614; Re.35,677; DE.398,834; 5,826,384; 5,941,499; 5,944,088; 6,060,461; 6,102,398; 6,158,704; 6,454,118; 6,761,276; 6,826,425; 6,806,425; 6,806,425; 6,806,425

Latch Top Assembly with Monitor onto Base



With the monitor mounted to the Top Assembly, align the Rivet on the Rivet Plate with the Triangular Slot on the Base. Slide the Top Assembly back until there is an audible click and the Top Assembly locked into the Base. Pull forward on the monitor to ensure that the rivet has engaged the Base.



Monitor Release

See the SLELCDR Monitor Release Instructions for details on how to release the monitor from the base once installed. The release instructions are shipped separately with the release rods & security purposes.

LIMITED WARRANTY

LUCASEY MANUFACTURING CORPORATION MAKES NO WARRANTY OF ANY KIND, EXPRESS OR IMPLIED except that the goods sold under this agreement shall be free of defects in materials and workmanship for a period of one year from the user's date of purchase. User assumes all risk and liability resulting from the use of the goods, whether used singly or in combination with other goods. Lucasey Manufacturing Corporation neither assumes nor authorizes any person to assume for it any other liability in connection with the sale or use of the goods sold and there are no oral agreements or warranties collateral to or affecting this limited warranty. Lucasey Manufacturing Corporation will repair or replace defective parts or equipment within one year of the date of purchase, at its option, provided the part or equipment is returned pre-paid to Lucasey Manufacturing Corporation's plant. The repaired or replaced part shall be shipped to the user, FOB Lucasey Manufacturing Corporation's plant. NO allowance for outside labor charges are implied within the terms of this limited warranty. Under no circumstances will Lucasey Manufacturing Corporation be responsible for special, indirect or consequential damages. The remedies set forth in this Limited Warranty are exclusive and the liability of Lucasey Manufacturing Corporation with respect to any contract of sale or anything done in connection therewith, whether in contract, in tort, under any warranty or otherwise shall not, except as expressly provided herein, exceed the price of the equipment or part on which such liability is based. Any damage caused by the improper use, operation beyond capacity, substitution of parts or equipment not approved by Lucasey Manufacturing Corporation, improper packaging, failure to observe installation or other instructions, transit, or repair by one other than Lucasey Manufacturing Corporation, will not be covered by and shall void this Limited Warranty.