

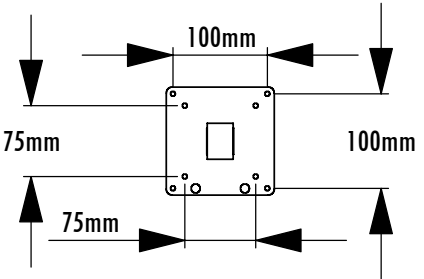
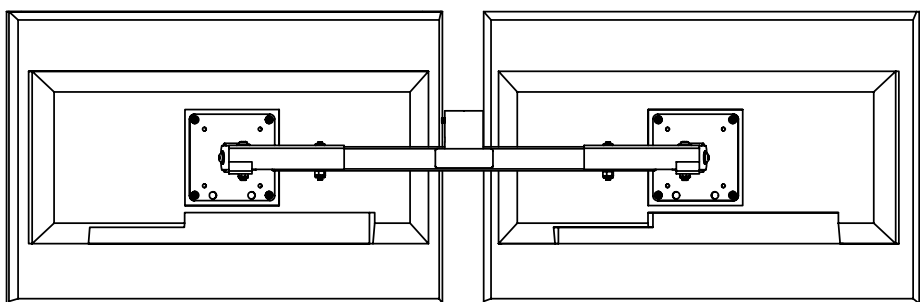
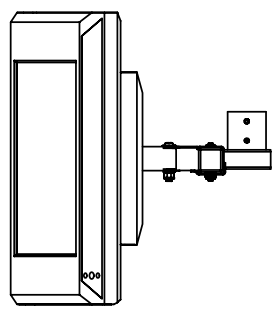
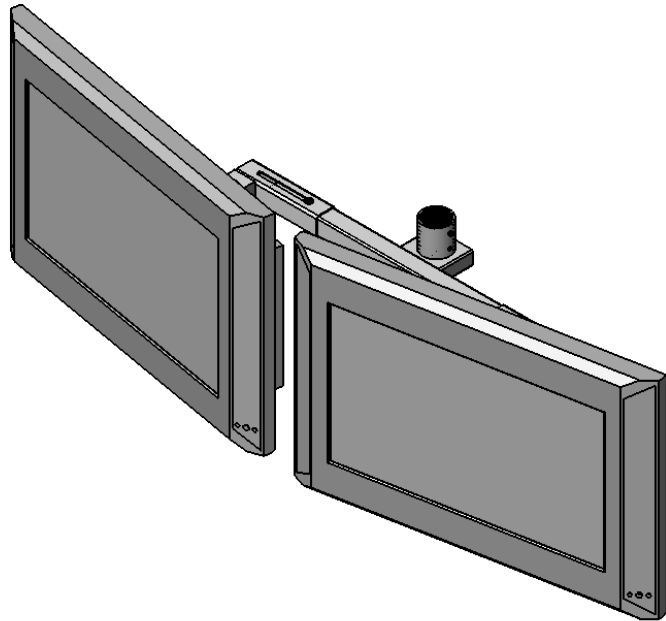
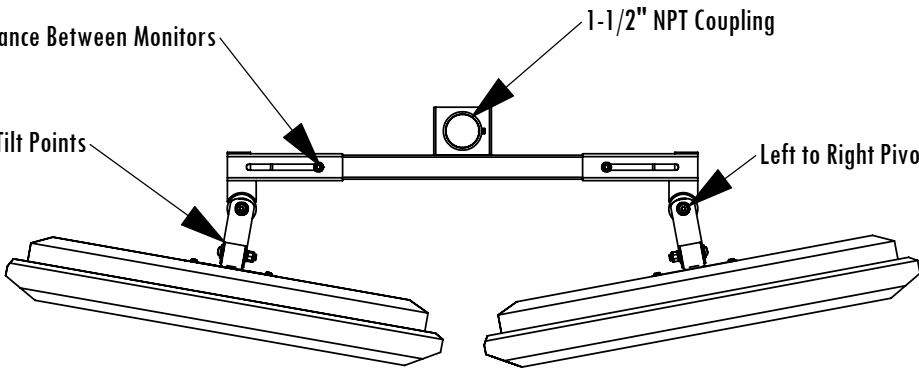
LCDC2 Dual Side by Side LCD Ceiling Mount


Adjusts Distance Between Monitors

1-1/2" NPT Coupling

$\pm 90^\circ$ Tilt Points

Left to Right Pivot Points



TITLE: LCDC2 Dual Side by Side LCD Ceiling Mount		
COMMENTS	FILE NAME LCDC2_Dim	
DATE	6/27/07	
REVISION	1	
DRAWN BY	M.R.B.	