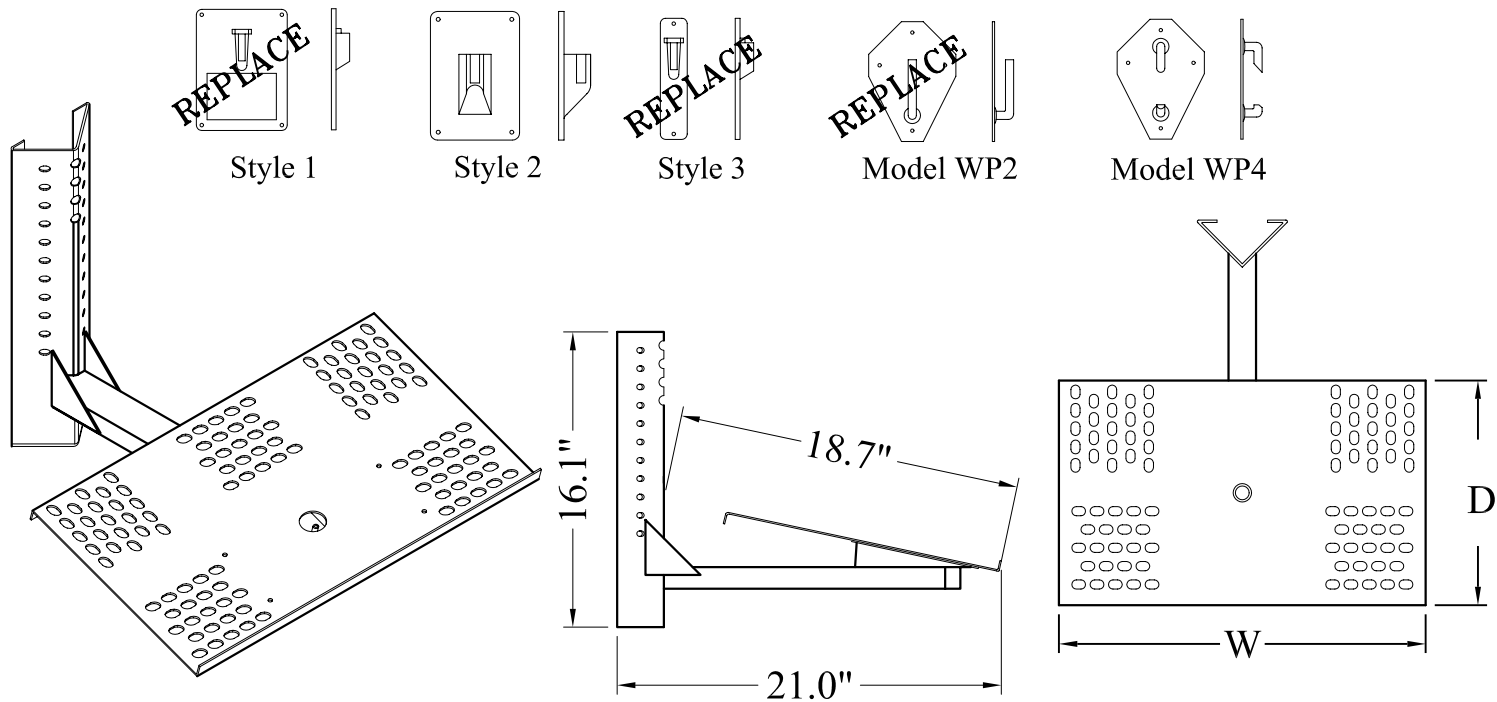


SA1700 WALL MOUNT ACCESSORIES

FITS THESE PRE-EXISTING WELLS AND SYLVANIA WALL PLATES.



Attaches to Wells and Sylvania wall plates. Allows nine inches of vertical adjustment.

MODEL NO.	SWIVEL	TILT	LOAD LIMIT	PLATFORM WIDTH (A)	PLATFORM DEPTH (D)	PROJECTION FROM WALL	FINISH	PLATFORM TYPE
SA1720N	360° *	12-1/2°	60 lbs	20"	12-1/2"	21" maximum	Brown/Black W	Non-locking
SA1720L	360° *	12-1/2°	60 lbs	20"	12-1/2"	21" maximum	Brown/Black W	Semi-locking
SA1721N	360° *	12-1/2°	60 lbs	21-1/2"	12-3/4"	21" maximum	Brown/Black W	Non-locking
SA1721L	360° *	12-1/2°	60 lbs	21-1/2"	12-3/4"	21" maximum	Brown/Black W	Semi-locking

* Swivel action may be limited by monitor dimensions