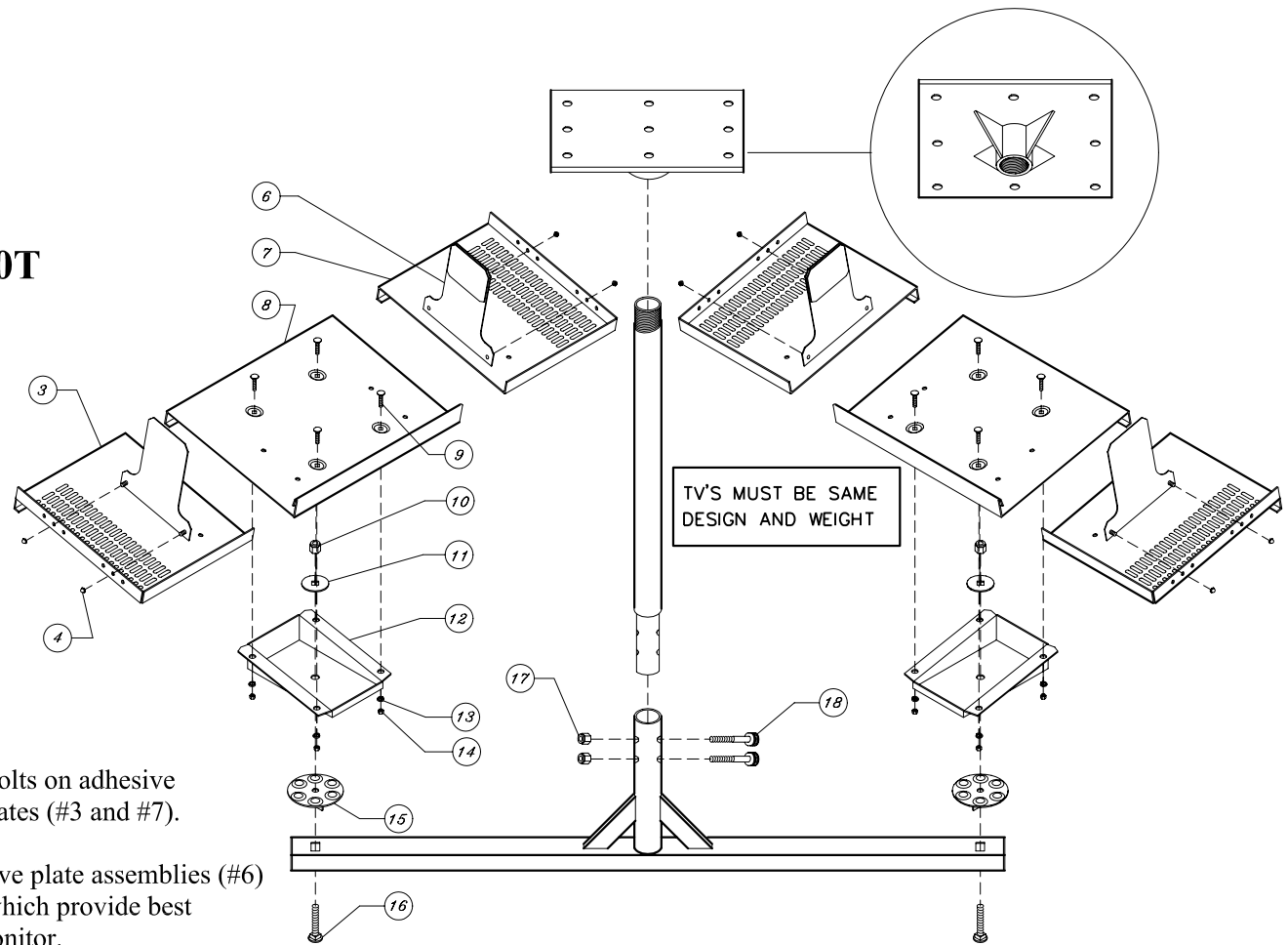


DC Series Adjustable Non-locking Ceiling Mounts

DC1014T DC1420T DC2030T

1. Attach swivel plates (#15) and tilt plates (#12) to mounting arm (#5) with 1/2-13 x 2-1/2 inch carriage bolts (#16), 2-1/8 inch washers (#11), and 1/2-13 nylon lock nuts (#10). Insert carriage bolts through bottom of mounting arm.
2. Place center plates (#8) on tilt plates, aligning the four holes.
3. Secure center plates to tilt plates with four 1/4-20 x 1/2 inch carriage bolts (#9), lock washers (#13), and 1/4-20 nuts (#14). Insert carriage bolts through top of center plate.
4. **DC1014T & DC1420T PLATFORMS:** Insert bolts on adhesive plate assemblies (#6) into holes on side of side plates (#3 and #7).
5. **DC2030T PLATFORMS:** Insert bolts on adhesive plate assemblies (#6) into holes in side plates (#3 and #7). Use holes which provide best alignment between adhesive pads and sides of monitor.
6. Attach adhesive plate assemblies to side plates with #10-24 acorn nuts (#4).
7. Slide side plates (#3 and #7) onto center plate (#8), slipping rear lip of side plates over rear lip of center plate and front lip of side plates under front of center plate.
8. Allow proper clearances for depth and swiveling of TV. Attach flange to ceiling using appropriate fasteners. (Use wood screws for installation into wood ceiling joists. Use concrete anchor bolts for installation into concrete ceilings; install anchor bolts as recommended by the anchor bolt manufacturer.
9. Screw ceiling pipe (#2) into flange (#1) and fasten mounting arm (#5) to ceiling pipe with 3/8-16 x 2" socket head bolts (#18) and 3/8"-16 hex nuts (#17).



10. Place monitor on plate assembly. Remove plastic covering from adhesive plate assemblies and press side plates inward to affix adhesive plates to sides of monitor.
11. Center the center plate beneath monitor. Secure side plates to center plate with two small carriage bolts and nuts through slots and holes in the lower lip at the back of plates.
12. Attach monitor to side plates with fasteners appropriate to the underside of the monitor.
13. For additional security, attach security strap as shown in "Security Strap Installation" instructions.