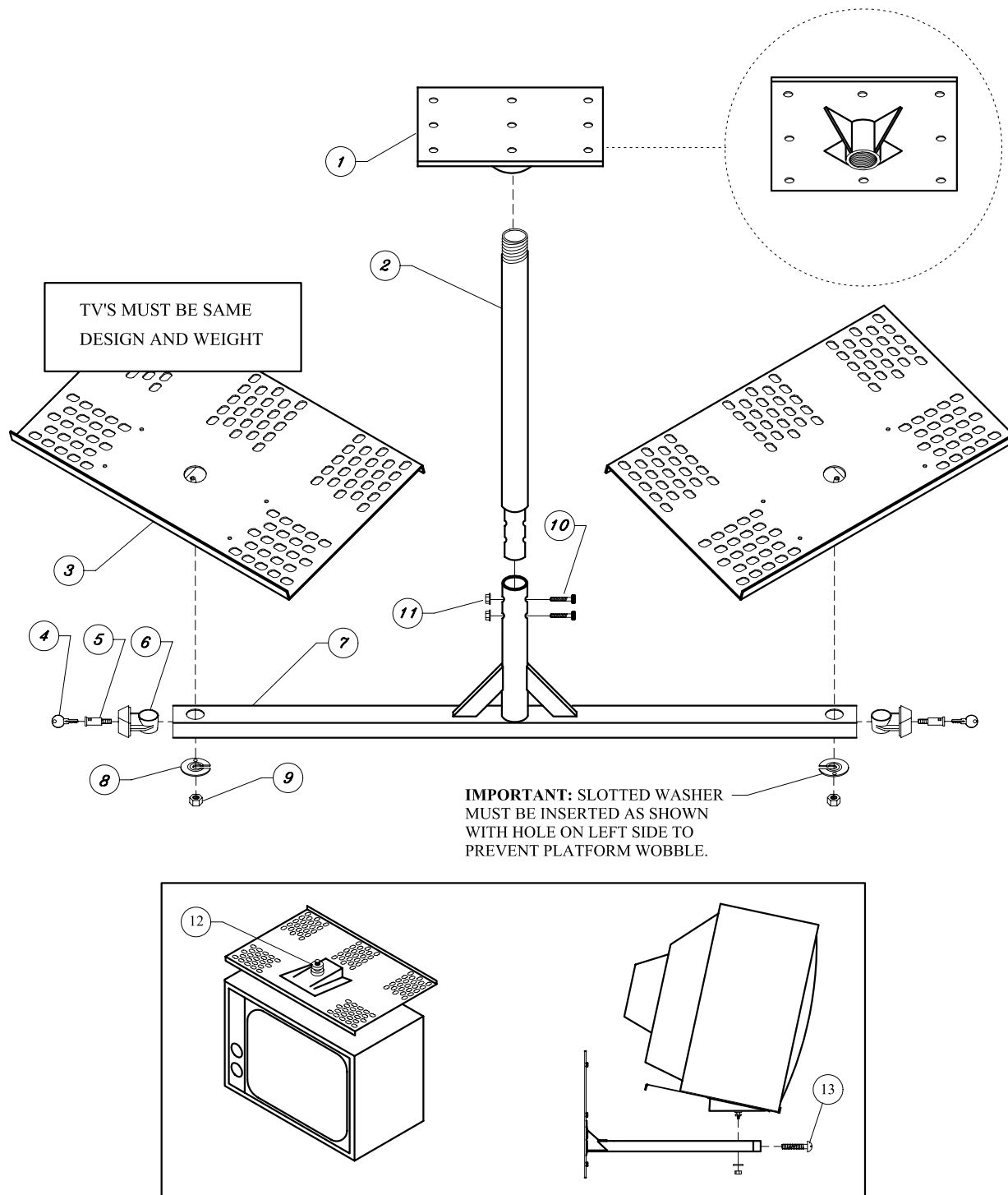


DC17 Series Ceiling Mounts

DC1715N DC1715S DC1721N DC1721S



1. Attach flange to ceiling structure as instructed by the engineer responsible for the attachment design. Hardware kits and accessories for most structural applications can be found under Ceiling Mount Accessories found on reverse side of these instructions.
2. Apply Loktite to threaded end of ceiling pipe. Screw ceiling pipe (#2) into ceiling flange (#1). Fasten ceiling pipe to mounting arm (#7) using 3/8"-16 x 2" socket head cap bolts (#10) and 3/8"-16 hex nuts (#11).
3. Insert the swivel base holder (#6) into the end of one of the mounting arms (#7) with the larger side of the hole facing upward. Repeat with other swivel base holder and other mounting arm.
4. Invert monitors. Place inverted platforms (#3) on bottom of the monitors with the platform lips flush against the fronts of the monitors. Attach the platforms to the monitors with fasteners appropriate to the underside of the monitor.
5. Turn one of the monitors right side up. Lift the monitor and platform onto mounting arm, slipping the taper (#12) on the bottom of the platform into the hole at end of one of the mounting arms.
6. Place washer (#8) over the threaded end of the taper protruding beneath the mounting arm as shown. Place and tighten the nylon locknut (#9) on the threaded end of the taper.

If mount is **NON-LOCKING** type, screw 5/16-18 x 1-1/2" round head bolt (#13) into end of swivel base holder.
 If mount is **SEMI-LOCKING** type, insert the key (#4) into the lock (#5). Insert the lock into the end of the swivel base holder (#6). Turn the key clockwise until the lock will no longer turn, then turn the key back (counterclockwise) until the key is vertical. Remove the key.

7. Repeat steps 5 and 6 with the remaining monitor and mounting arm.