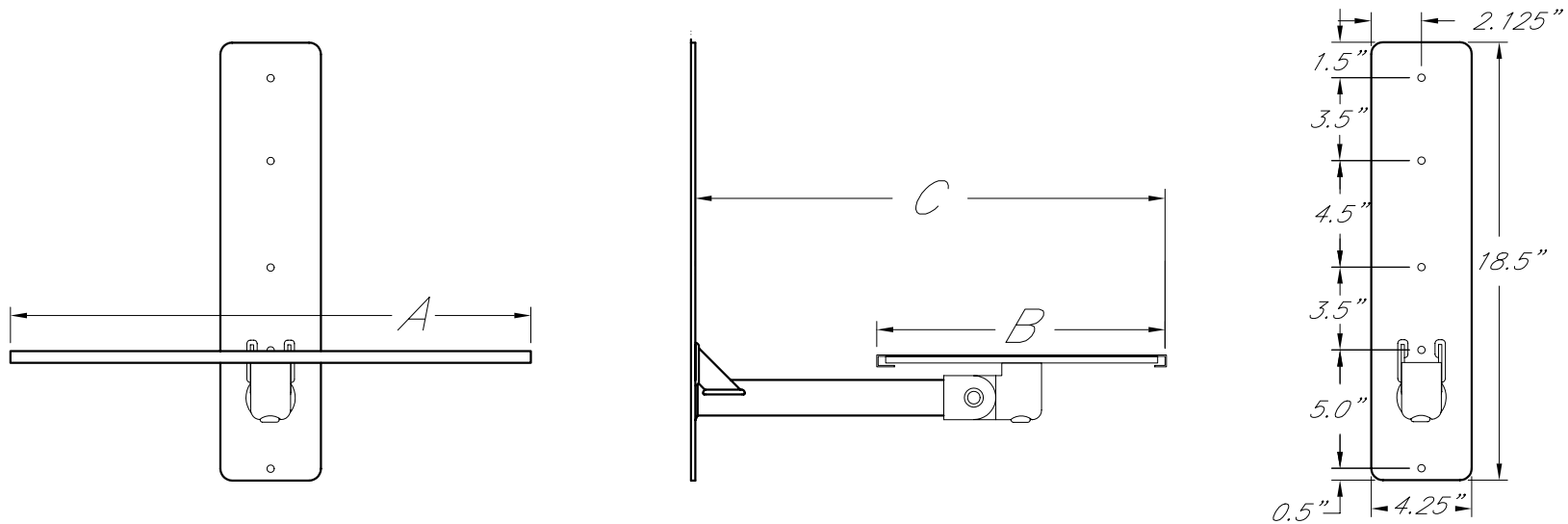


7100 SERIES WALL MOUNTS



MODEL NO.	SWIVEL	TILT	LOAD LIMIT	PLATFORM WIDTH (W)	PLATFORM DEPTH (D)	PROJECTION FROM WALL	PLATFORM TYPE	FINISH
7120N	360° *	0°-15°	60 lbs	20"	12-1/2"	20"	Non-Locking	Black Wrinkle or Brown
7120L	360° *	0°-15°	60 lbs	20"	12-1/2"	20"	Locking	Black Wrinkle or Brown
7120P				20"	12-1/2"		Plate Only	Black Wrinkle or Brown
7122N	360° *	0°-15°	60 lbs	22"	12-1/4"	19-3/4"	Non-Locking	Black Wrinkle or Brown
7122L	360° *	0°-15°	60 lbs	22"	12-1/4"	19-3/4"	Locking	Black Wrinkle or Brown