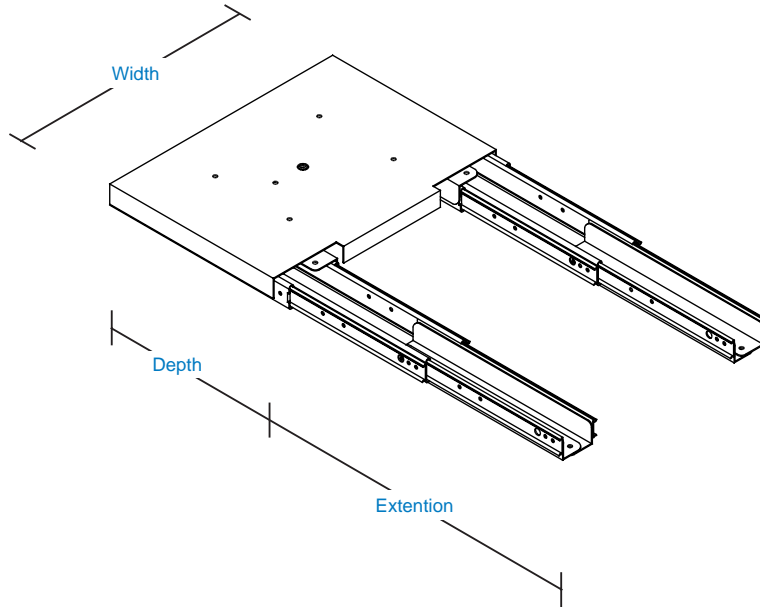




## SLIDE4C / SLIDE5C

17" EXTENSION SLIDE-OUT ACCESSORY FOR FURNITURE SWIVEL MOUNT



MODEL	WIDTH	DEPTH	LOAD LIMIT (lbs)	EXTENSION	HEIGHT WITH F5500	HEIGHT WITH SLE	GLOSS BLACK	SHIP. WT. (lbs)
SLIDE4C	15"	11-1/2"	90	17"	3-1/4"	2-3/4"	• 15	
SLIDE5C	15"	11-1/2"	120	7-1/2"	3-1/4"	2-3/4"	• 14	

**NOTES:**

- Converts **F5500** series and **SLE** mounts into extendible/retractable swivel mounts.
- Bolt-down mounting.
- Compare furniture cavity size to monitor width and height, including mount height, to assure proper clearances.

**WARNING:** *Secure furniture to wall studs to prevent tip-overs when the slide-out is extended.*

1-800-LUCASEY