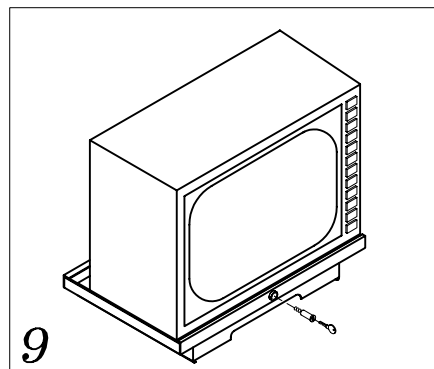
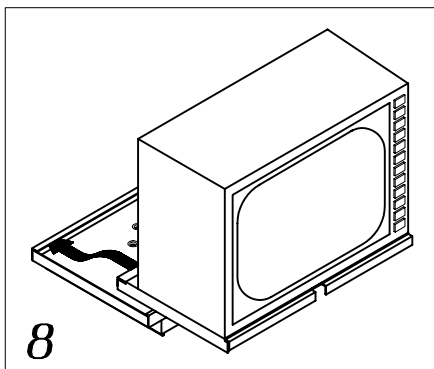
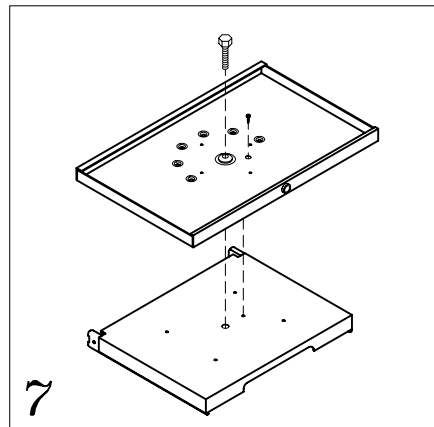
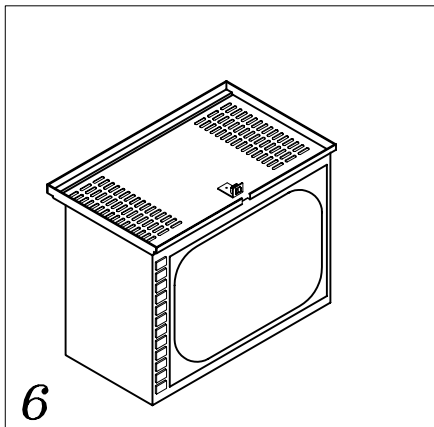
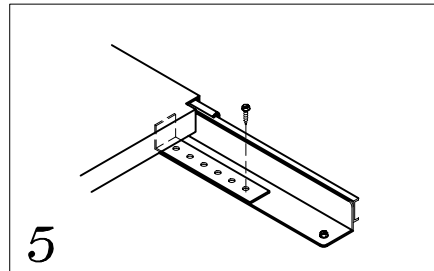
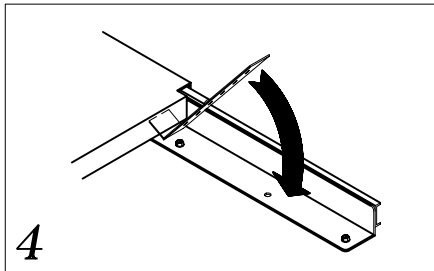
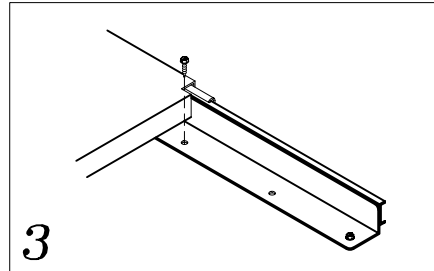
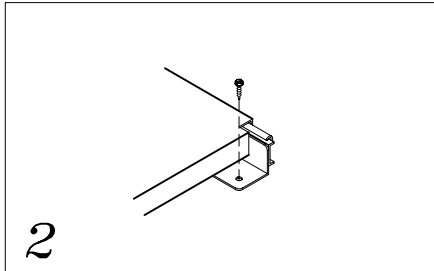
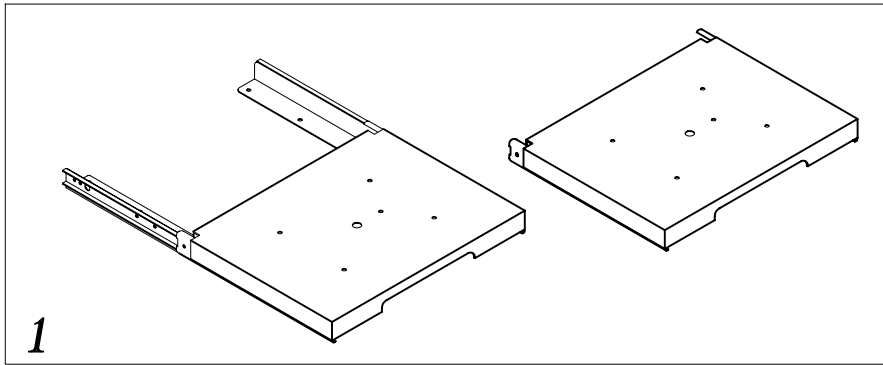


SLIDE-2C FURNITURE MOUNT with 5100 plates

WARNING: Secure furniture to which Lucasey SLIDE-2C mount will be installed to wall studs or concrete floors to prevent tip over when SLIDE-2C is extended.

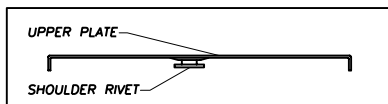
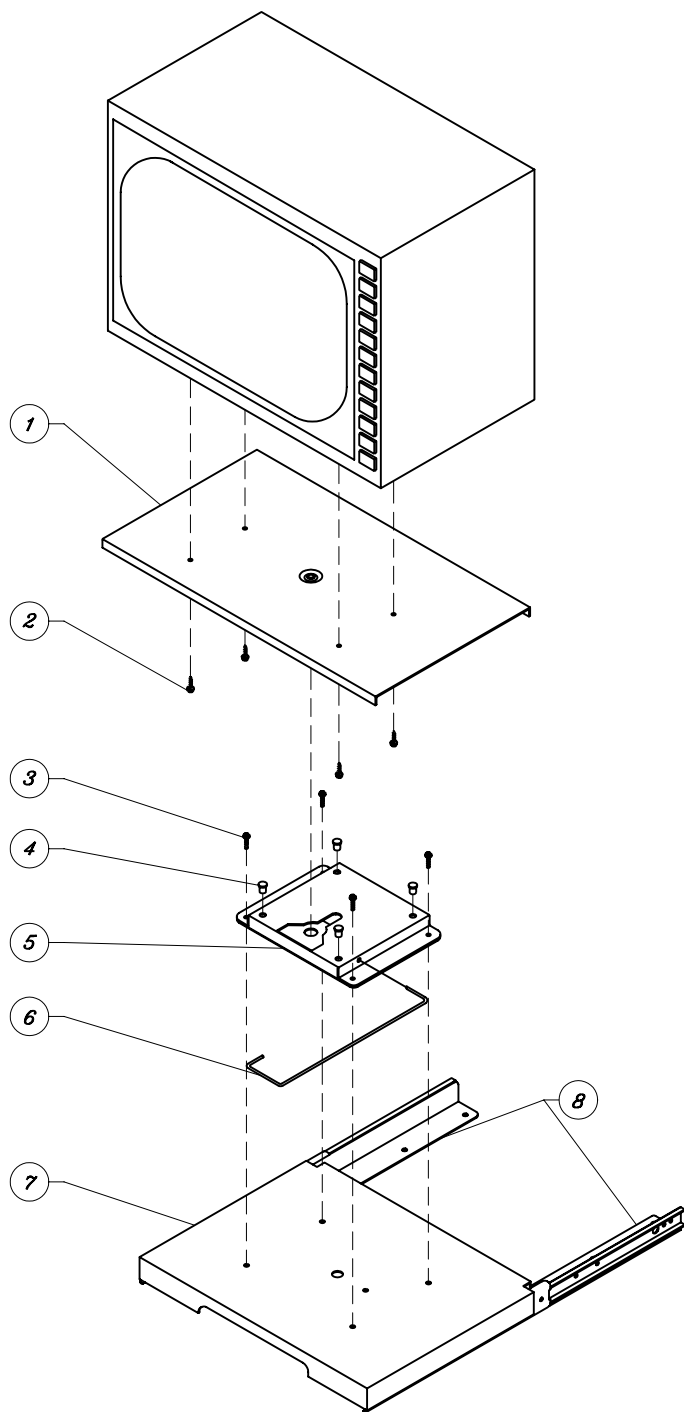


1. Push roller guides completely into platform and place platform in desired location.
2. Slide platform forward approximately one inch to expose screw holes in ends of roller guides. Screw #10-3/4" slot hex head screws into holes.
3. Slide platform completely forward. Screw #10-3/4" slot hex head screws into third holes in roller guides.
4. If forward movement of platform is to be restricted, slide platform out to furthest desired distance, slip end of stopper under platform, and lay stopper on guide.
5. Move stopper to rear until it contacts lip of platform. Align nearest hole in stopper with middle hole in guide. Screw #10-3/4" slot hex head screw through stopper and middle hole in guide.
- 5a. Repeat steps 4 and 5 with second stopper.
6. Invert monitor. Place inverted upper plate on bottom of monitor with lock slot facing front of monitor. Attach monitor to upper plate with fasteners appropriate to the underside of the monitor.
7. Rotate swivel on underside of lower plate until one of the holes in the swivel aligns with the hole closest to the center hole. Place lower plate on platform, aligning center hole in plate with center hole in platform. Insert 1/2"-13 x 1-1/4" hex bolt through center hole in plate and screw into platform. Rotate plate until hole closest to center hole aligns with hole in platform. Insert #10-24 x 3/4" slot hex washer head screw into hole and screw into platform.
8. Turn monitor right side up. Place upper plate on lower plate, guiding rear of upper plate beneath lip at back of lower plate. Slip upper plate into lower plate and pull forward until front of upper plate meets front of lower plate.
9. Place key in lock. Insert lock into lock retainer. Turn key clockwise to screw lock into plate. Remove key.

Protected under one or more of these U.S. Patent numbers: 3,291,432; 3,559,942; 3,724,798; DES.270,689; 4,613,109; 4,878,645; 4,852,842; DES.309,562; 4,973,023; 5,169,114; 5,255,884; 5,310,152; 5,522,576; 5,621,614; Re.35,677; DES.398,834; 5,826,384; 5,941,492; 5,964,068; 6,060,661; 6,102,398

SLIDE-2C FURNITURE MOUNT with SLE plates

WARNING: Secure furniture to which Lucasey **SLIDE-2C** mount will be installed to wall studs or concrete floors to prevent tip over when **SLIDE-2C** is extended.



1. Push roller guides completely into platform and place platform in desired location.
2. Slide platform forward approximately one inch to expose screw holes in ends of roller guides. Screw #10-3/4" slot hex head screws into holes.
3. Slide platform completely forward. Screw #10-3/4" slot hex head screws into third holes in roller guides.
4. If forward movement of platform is to be restricted, slide platform out to furthest desired distance, slip end of stopper under platform, and lay stopper on guide.
5. Move stopper to rear until it contacts lip of platform. Align nearest hole in stopper with middle hole in guide. Screw #10-3/4" slot hex head screw through stopper and middle hole in guide.
- 5a. Repeat steps 4 and 5 with second stopper.
6. Invert monitor. Place inverted upper plate (#1) on bottom of monitor, aligning holes in plate with holes in feet on underside of monitor. Attach monitor to upper plate with #10-3/4" slot hex head screws (#2) screwed into feet on bottom of monitor.
7. Place base plate (#5) on platform (#7), aligning holes in base plate with holes in platform. Screw base plate to platform with #10-24 x 3/4" slot hex washer head screws (#3). Slide platform forward. Use pliers to bend and break off ends of screws protruding from PEM nuts on underside of platform.
8. Insert four nylon plugs (#4) into holes on top of base plate.
9. Turn monitor right side up. Insert upper plate (#1) into base plate by positioning the upper plate shoulder rivet on spring plate in base plate and pushing downward and to rear of base plate until the spring plate clicks back to its upward position. Pull forward on monitor to verify upper plate is locked into place.
10. To remove upper plate from base plate, insert release rod (#6) into release hole on right side of base plate and turning the rod handle to the left to depress the spring plate. Pull forward on platform while spring plate is depressed. Lift monitor and upper plate from base plate.

