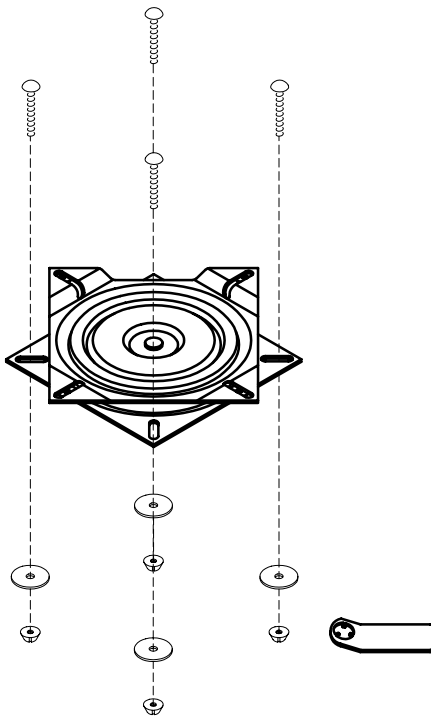
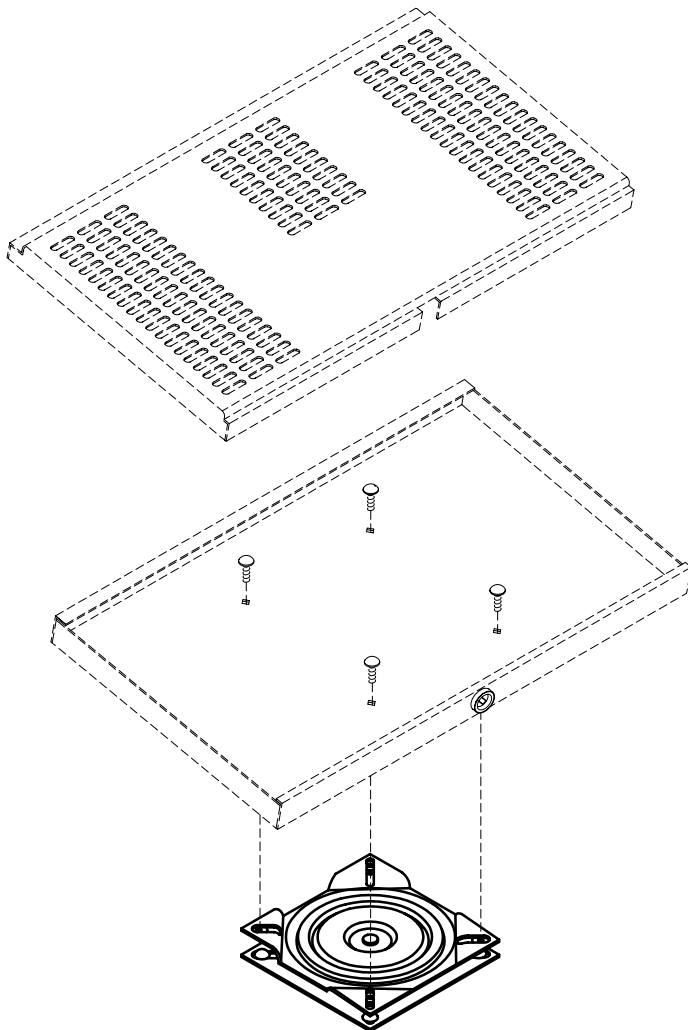


FMAST7 & FMAST0 Furniture Swivel

with F6100 Series Mounting Plates



1. Before drilling into furniture, verify sufficient clearance from walls and other furniture to permit rotation of monitor.
2. Twist upper portion of swivel unit (#2) to expose screw slots in lower portion of swivel unit.
3. Use slots in lower portion of swivel unit as template to mark locations for drilling.
4. Drill 1/4" holes through furniture surface at marked locations.
5. Place swivel unit over holes, aligning slots in unit with drilled holes in furniture surface.
6. Insert 1/4" x 2" carriage bolts (#1) through slots and holes.
7. Place washers (#3) and security nuts (#4) on carriage bolts and tighten nuts with provided tool.
8. Place lower plate (#6) on swivel unit, aligning holes in plate with nuts in swivel unit. Insert 1/4" x 1/2" pan head screws (#7) into holes and securely tighten.
9. Invert monitor. Place upper plate (#5) on bottom of monitor with lock slot facing front of monitor. Attach monitor to upper plate using fasteners appropriate to the underside of the monitor.
10. Turn monitor right side up. Slip upper plate into lower plate and under lip at back of lower plate. Pull forward on upper plate to move plate under lip at front of lower plate.
11. Insert key in lock (#8) and insert lock into lock cylinder. Turn key completely clockwise to screw lock into place. Turn key back (counterclockwise) until key is vertical. Remove key.



Protected under one or more of these U.S. Patent numbers: 3,291,432 3,559,942 3,724,798 DES.270,689 4,613,109 4,878,645 4,852,842 DES.309,562 4,973,023 5,169,114 5,255,884 5,310,152 5,522,576 5,621,614 Re.35,677 DES.398,834 5,826,384 5,941,492 5,964,068 6,060,661 6,102,398