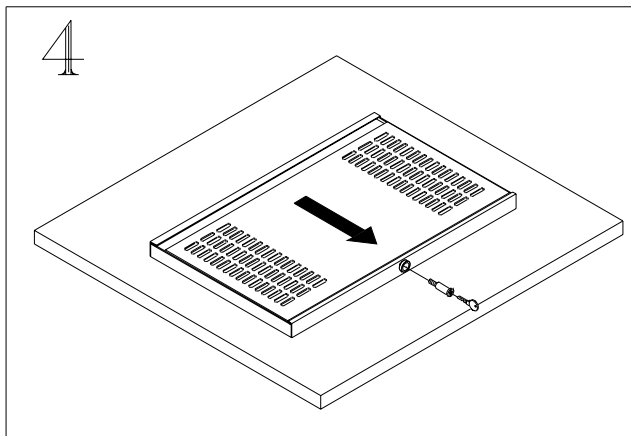
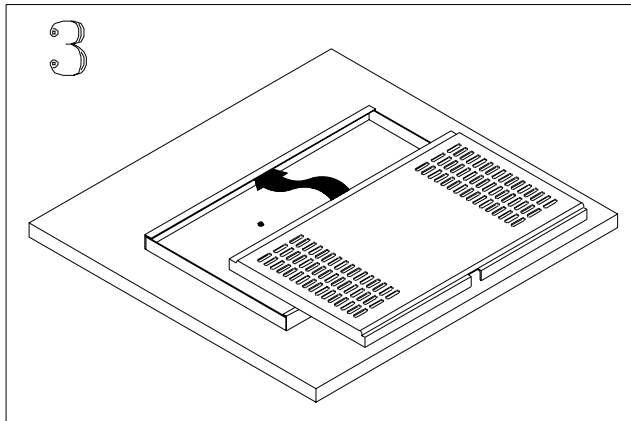
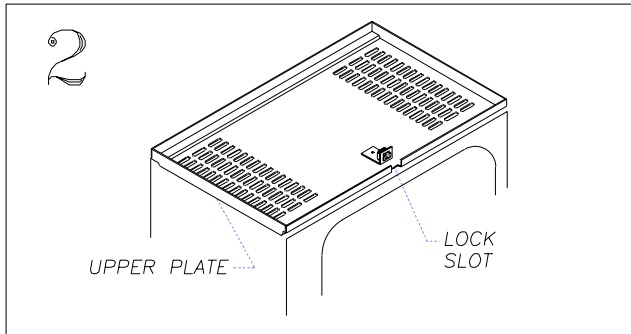
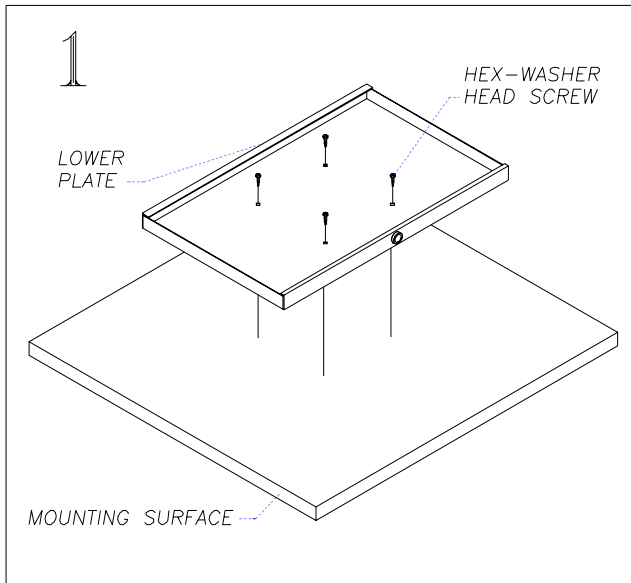




INSTALLATION INSTRUCTIONS

# F6100 Series Furniture Mounts

*Note: F6100 Series mounts should only be installed on furniture which has been secured to walls or floors.*



1. Set the lower plate in the desired location on the mounting surface.
2. Attach the lower plate to the mounting surface with the four hex washer head screws provided, as shown in Figure 1.
3. Invert the monitor and place the upper plate on the bottom of the monitor with the lock slot facing the front of the monitor, as shown in Figure 2. Attach the upper plate to the monitor with fasteners appropriate to the underside of the monitor.
4. Turn the monitor right side up. Slip the upper plate (attached to the monitor) into the lower plate, and under the lip at the back of the lower plate, as shown in Figure 3.
5. Pull forward on the upper plate until it contacts the front lip of the lower plate, as shown in Figure 4.
6. Insert the key into the lock, and the lock into the lock cylinder. Turn the key clockwise until the lock has been completely screwed in. Then turn the lock back (counterclockwise) until the key is vertical. Remove the key.