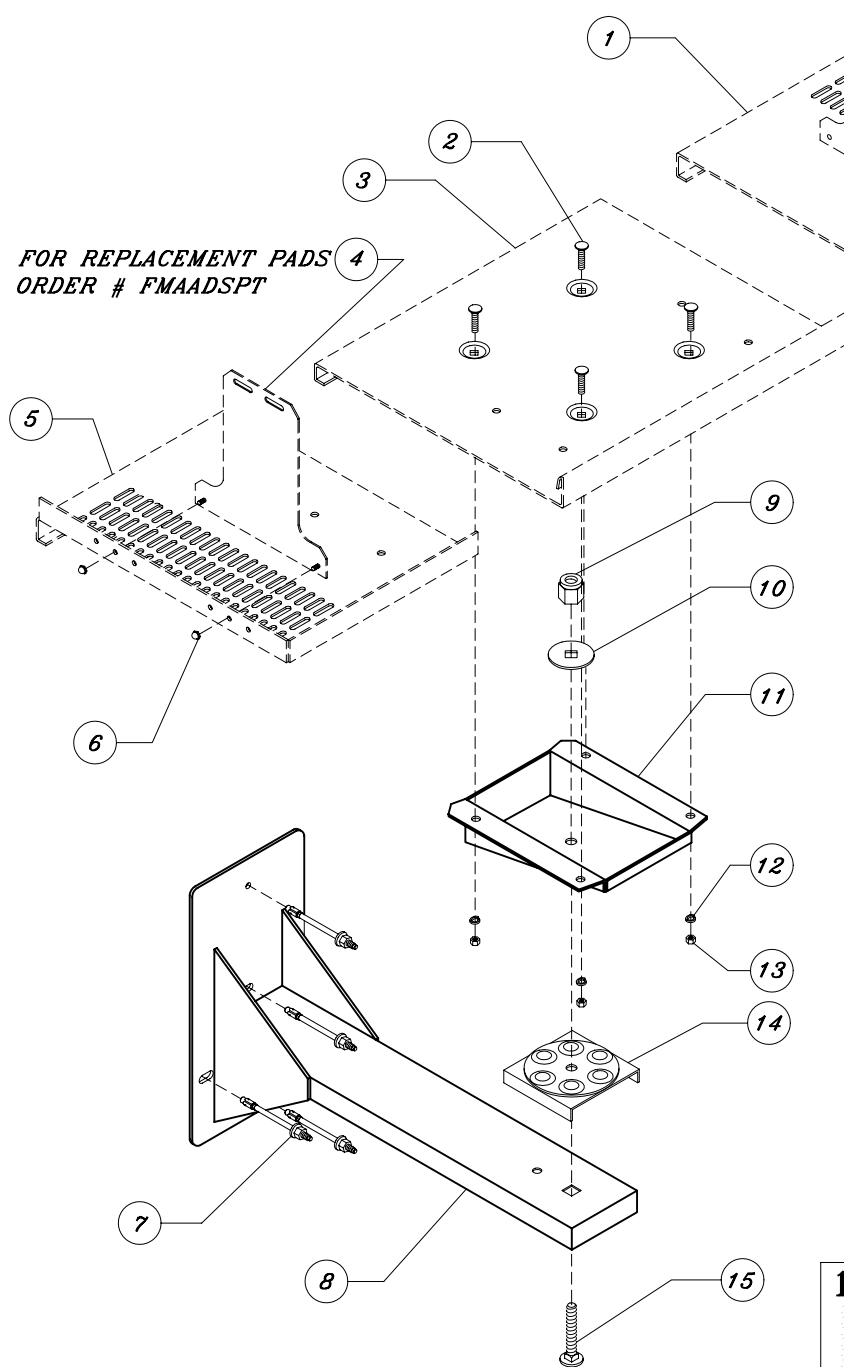


# CKSDWP Series Adjustable, Non-locking Wall Mounts

(Platform not included with kit)

FOR REPLACEMENT PADS  
ORDER # FMAADSPT

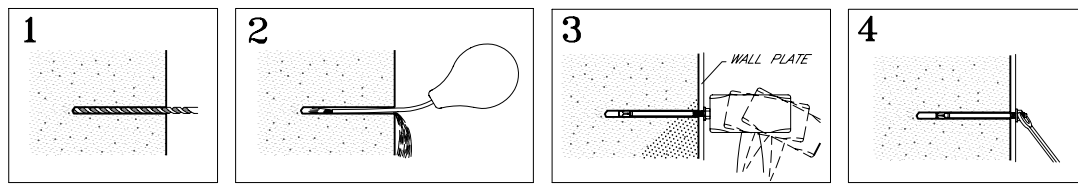


**Wall Arm Installation (See illustrations below):**

1. Use backplate of wall arm (#8) as template to mark location of top hole in wall plate. Hammer-drill 1/4" diameter hole at least 3-1/4" deep at hole location.
2. Blow dust from hole with Blow Out Bulb.
3. Insert the 1/4-20 x 3-1/4" anchor bolt (#7) into the hole. Place washer and nut on anchor bolt. Hammer anchor bolt into hole until at least six threads on anchor bolt are below the surface of the wall plate.
4. Remove nut and washer from anchor bolt. Position wall plate on anchor bolt, and replace washer and nut. Loosely tighten nut. Level wall plate. Mark other hole locations. Hammer-drill and blow out remaining holes. Install remaining anchor bolts. Securely tighten nuts.

**Platform Assembly and Monitor Installation:**

1. Insert 1/2-13 x 2-1/2" carriage bolt (#15) through bottom of mounting arm. Place swivel plate (#14) and tilt plate (#11) over carriage bolt. Place 2-1/8" washer (#10) over carriage bolt. Place and tighten 1/2-13 nylon lock nut (#9) on carriage bolt.
2. Place center plate (#3) on tilt plate, aligning holes in center plate with holes in tilt plate.
3. Secure center plate to tilt plate with four 1/4-20 x 1/2" carriage bolts (#2), lock washers (#12), and 1/4-20 nuts (#13). Insert carriage bolts through top of center plate.
4. **SDWP1014 and SDWP1420:** Insert bolts on adhesive plate assemblies (#4) into holes on sides of side plates (#1 and #5).
5. **SDWP2030 and SDWP2333:** Insert bolts on adhesive plate assemblies (#4) into second and fifth holes in sides of side plates (#1 and #5).
6. Secure adhesive plates to side plates with #10-24 acorn nuts (#6).
7. Slide side plates (#1 and #5) onto center plate (#3), slipping rear lip of side plates over rear lip of center plate and front lip of side plates under front lip of center plate.
8. Place monitor on plate assembly. Remove plastic covering from adhesive plate assemblies and press side plates inward to affix adhesive plates to side of monitor.
9. Center the center plate beneath monitor. Secure side plates to center plate with two small carriage bolts and nuts through holes and slots in the lower lip at the back of plates (not shown.)
10. Attach monitor to side plates with fasteners appropriate to the underside of the monitor.
11. For additional stability, attach security strap.



Protected under one or more of these U.S. Patent numbers: 4,878,645 4,852,842 DES.309,562 4,973,023 5,169,114 5,255,884 5,310,152 5,522,576 5,621,614 Re.35,677 DES.398,834 5,826,384 5,941,492 5,964,068 6,060,661 6,102,398 6,158,704 6,454,116B1