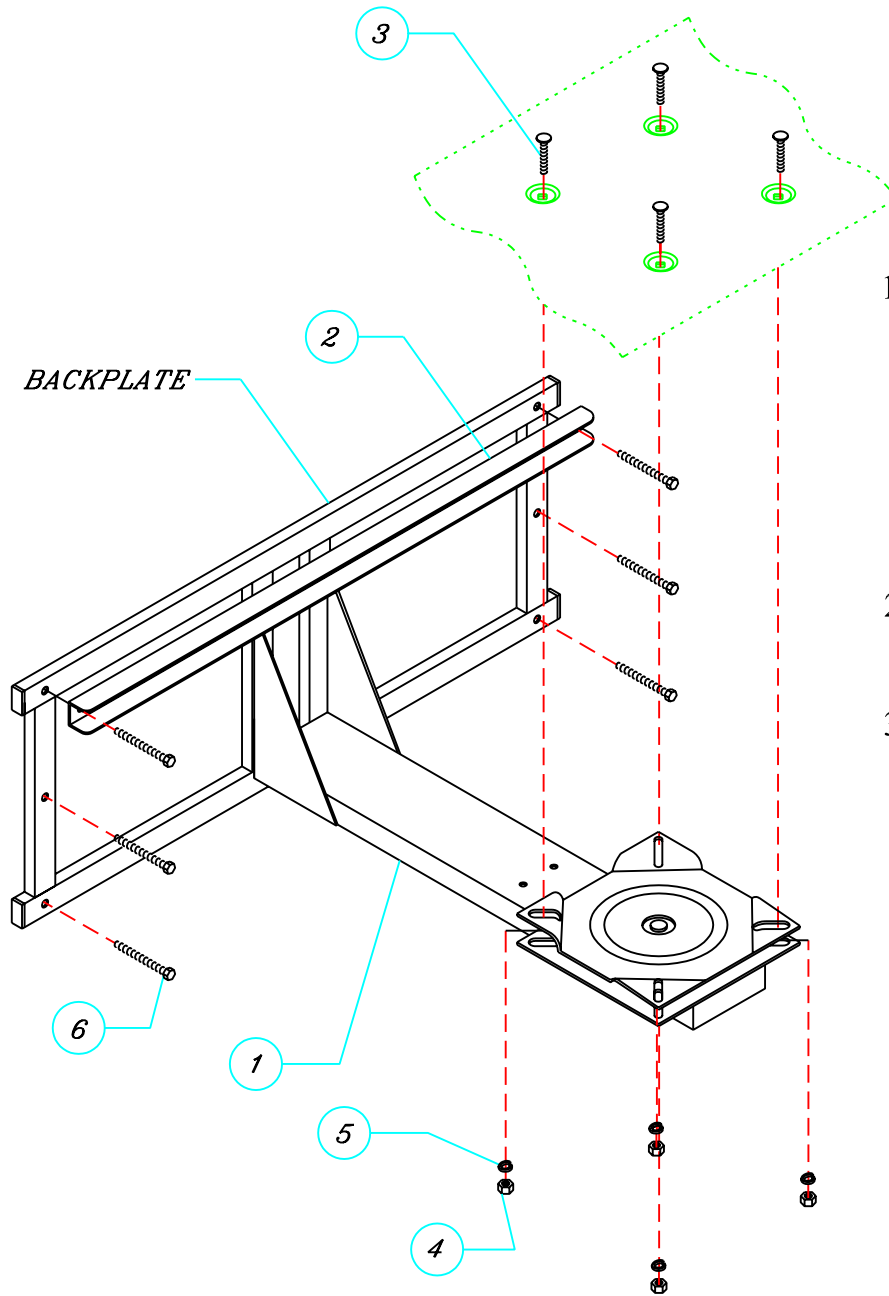


## CKDSWP24 CONVERSION KIT for (DSWP) Series



1. Verify sufficient arm-to-ceiling clearance for monitor before installation. Locate center of wood wall studs. Use backplate of mounting arm (#1) as a template for marking the location of holes. Drill 3/16" diameter pilot holes into center of wall studs. Attach stiffener channel (#2) and mounting arm using wood screws provided (#6). Test holding action of installation before mounting monitor.
2. Twist upper half of swivel on end of mounting arm to permit easy access to bolt slots.
3. Proceed with original installation instructions.

NO.	DESCRIPTION	QTY.
1	MOUNTING ARM.....	1
2	STIFFENER CHANNEL.....	1
3	1/4-20 x 1/2" CARRIAGE BOLTS.....	4
4	1/4-20 NUT.....	4
5	1/4" LOCK WASHER.....	4
6	#14 x 2-1/2" HEX HD WOOD SCREW.....	6