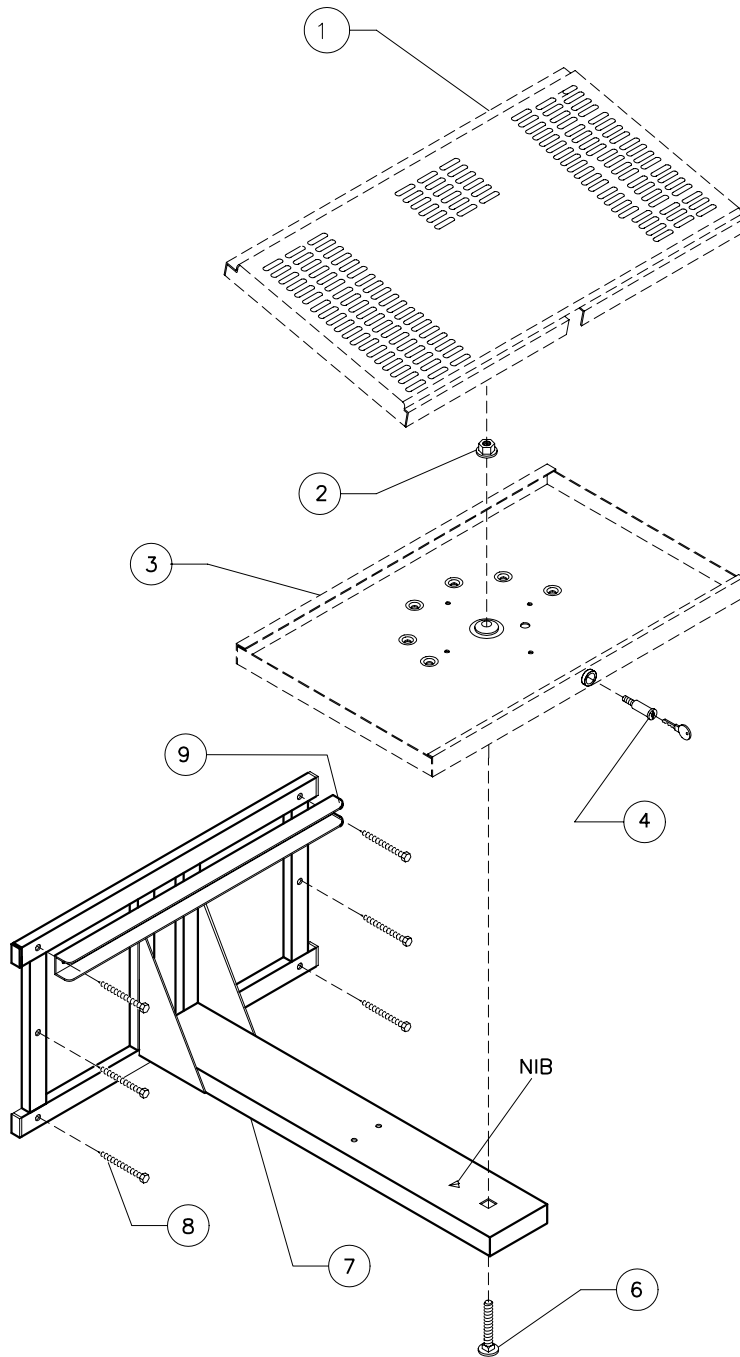


**KIT INCLUDES ITEMS # 2,6,7,8, & 9**

# CKDS CONVERSION KIT FOR (DS) Series Locking Wall Mount



1. Locate centers of wood wall studs. Use backplate of mounting arm (#7) as template to determine location for holes. Verify sufficient arm-to-ceiling clearance for monitor before installation. Drill pilot holes for screws into into centers of wall studs. Attach mounting arm and stiffener (#9) with provided wood screws (#8). Test holding action of installation before mounting monitor.
2. Place lower plate (#3) on mounting arm. Aligning hole in middle of plate with hole in arm. Slip nib into one of the four swivel plate holes.
3. Insert carriage bolt (#6) through bottom of mounting arm and lower plate.
4. Place and tighten whiz nut (#2) on carriage bolt.
5. Invert monitor. Position inverted upper plate (#1) on bottom of monitor with lock slot facing front of monitor. Attach monitor to upper plate with fasteners appropriate to the underside of the monitor.
6. Turn monitor right side up. Place upper plate on lower plate, guiding rear of upper plate beneath lip at back of lower plate. Slip upper plate into lower plate and pull forward until front of upper plate meets front of lower plate.
7. Place key in lock (#4) and insert lock in lock retainer. Turn key clockwise until lock is completely screwed in, then turn back (counterclockwise) until key is vertical. Remove key.