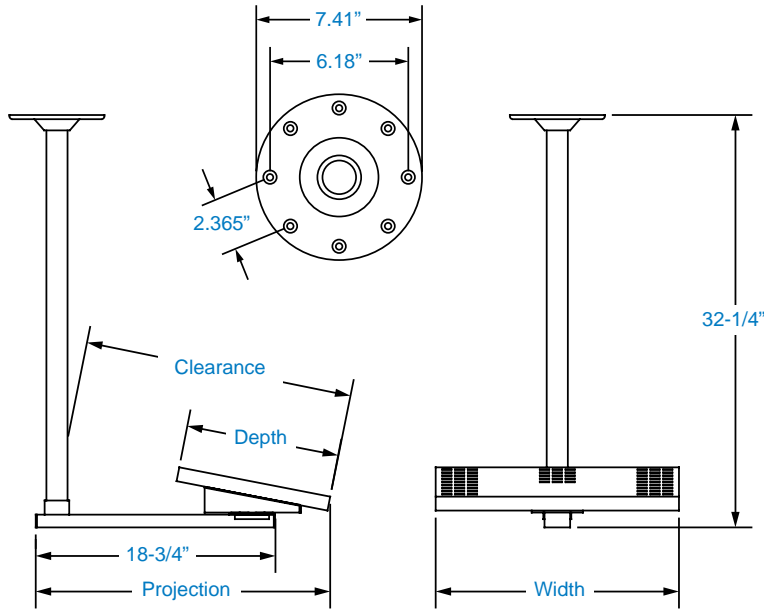




CTL6100 Series

LOCKING CEILING MOUNT WITH TILT



| MODEL | PLATFORM WIDTH | PLATFORM DEPTH | LOAD LIMIT (lbs) | SWIVEL | TILT | PROJECTION | CLEARANCE | BLACK WRINKLE | SHIP. WT. (lbs) | FAST SHIP |
|---------|----------------|----------------|------------------|--------|------|------------|-----------|---------------|-----------------|-----------|
| CTL6100 | 19" | 12" | 75 | 360° | 12° | 23" | 20-5/8" | • | 22 | • |
| CTL6101 | 15" | 12" | 75 | 360° | 12° | 23" | 20-5/8" | • | 21 | • |
| CTL6102 | 23" | 11" | 75 | 360° | 12° | 22-1/2" | 20-1/8" | • | 23 | • |
| CTL6103 | 22" | 14" | 75 | 360° | 12° | 24" | 21-5/8" | • | 27 | • |
| CTL6105 | 18" | 18-1/2" | 75 | * | 12° | 26-1/4" | 23-7/8" | • | 28 | • |
| CTL6107 | 17" | 12" | 75 | 360° | 12° | 23" | 20-5/8" | • | 23 | • |
| CTL6108 | 14" | 11" | 75 | 360° | 12° | 22-1/2" | 20-1/8" | • | 21 | • |
| CTL6110 | 10" | 12" | 75 | 360° | 12° | 23" | 20-5/8" | • | 21 | • |
| CTL6112 | 12" | 11" | 75 | 360° | 12° | 22-1/2" | 20-1/8" | • | 21 | • |
| CTL6115 | 15" | 15" | 75 | 360° | 12° | 24-1/2" | 22-1/8" | • | 22 | • |
| CTL6120 | 20" | 9" | 75 | 360° | 12° | 21-1/2" | 18-7/8" | • | 21 | • |

*Degree of swivel may be restricted by some larger TV cabinets.

NOTES:

- Pipe: 1-1/4" I.D. x 30" schedule 40 (24" and custom lengths available). Drop can be increased or decreased by substitution of the 30" pipe.
- See [Ceiling Mount Accessories](#) for special hardware and accessories.

1-800-LUCASEY