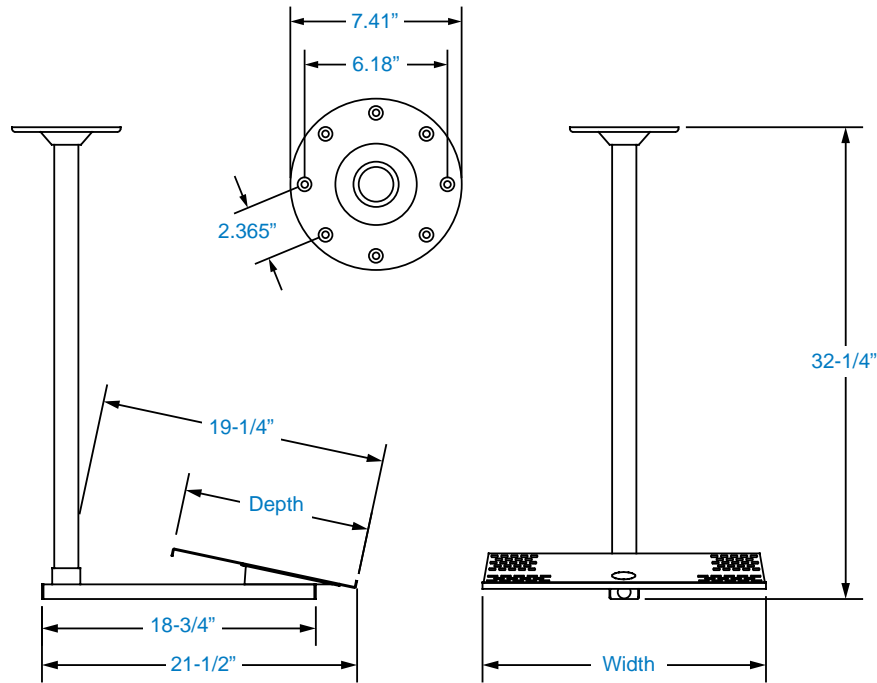




### CTL1715 / CTL1721

#### NON-LOCKING AND SEMI-LOCKING CEILING MOUNTS



MODEL	PLATFORM WIDTH	PLATFORM DEPTH	LOAD LIMIT (lbs)	SWIVEL	TILT	BLACK WRINKLE	SHIP WT. (lbs)	FAST SHIP
CTL1715N	15"	12"	75	360°	12°	•	19	
CTL1715S	15"	12"	75	360°	12°	•	19	
CTL1721N	21-1/2"	12-3/4"	75	360°	12°	•	20	•
CTL1721S	21-1/2"	12-3/4"	75	360°	12°	•	20	•

**NOTES:**

- Pipe: 1-1/4" I.D. x 30" schedule 40 (24" and custom lengths available). Drop can be increased or decreased by substitution of the 30" pipe.
- See [Ceiling Mount Accessories](#) for special hardware and accessories.

1-800-LUCASEY

Protected under one or more of these or pending United States patent numbers: 3,291,432; 3,559,942; 3,724,798; DE5,270,689; 4,613,109; 4,852,842; 4,878,645; DE5,309,562; 4,973,023; 5,169,114; 5,255,884; 5,310,152; 5,522,576; 5,621,614; Re-35,677; DE5,398,834; 5,826,384; 5,941,492; 5,964,068  
 © 2000 LUCASEY MANUFACTURING CORPORATION Oakland, California. All rights reserved