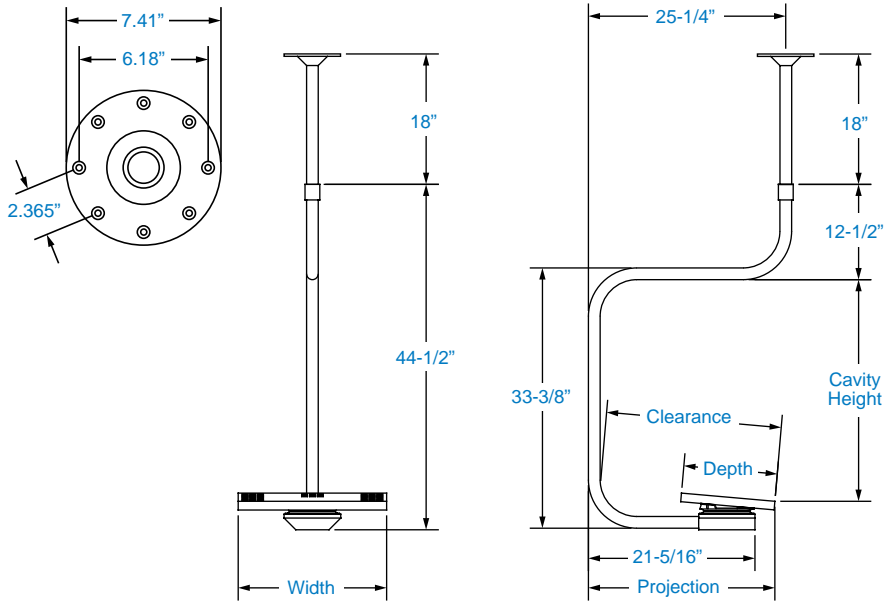




CCM 6100 Series

LOCKING CEILING MOUNT



MODEL	PLATFORM WIDTH	PLATFORM DEPTH	LOAD LIMIT (lbs)	SWIVEL	TILT	CAVITY HEIGHT	CLEARANCE	PROJECTION	BLACK WRINKLE	SHIP. WT. (lbs)	FAST SHIP
CCM6100	19"	12"	120	360°	7°	28-3/8"	22-3/8"	23-7/8"	•	29	•
CCM6101	15"	12"	120	360°	7°	28-3/8"	22-3/8"	23-7/8"	•	28	•
CCM6102	23"	11"	120	360°	7°	28-3/8"	21-7/8"	23-3/8"	•	31	•
CCM6103	22"	14"	120	360°	7°	28-1/2"	23-3/8"	24-7/8"	•	34	•
CCM6104	25"	14"	120	360°	7°	28-1/2"	23-3/8"	24-7/8"	•	34	•
CCM6105	18"	18-1/2"	120	360°	7°	28-5/8"	25-5/8"	27"	•	35	•
CCM6107	17"	12"	120	360°	7°	28-3/8"	22-3/8"	23-7/8"	•	29	•
CCM6108	14"	11"	120	360°	7°	28-3/8"	21-7/8"	23-3/8"	•	28	•
CCM6109	20"	18-1/2"	120	360°	7°	28-5/8"	25-5/8"	27"	•	37	•
CCM6110	10"	12"	120	360°	7°	28-3/8"	22-3/8"	23-7/8"	•	27	•
CCM6111	25"	18-1/2"	120	360°	7°	28-5/8"	25-5/8"	27"	•	40	•
CCM6112	12"	11"	120	360°	7°	28-3/8"	21-7/8"	23-3/8"	•	28	•
CCM6115	15"	15"	120	360°	7°	28-1/2"	23-7/8"	25-3/8"	•	30	•
CCM6120	20"	9"	120	360°	7°	28-1/4"	22-3/8"	22-3/8"	•	28	•

NOTES:

- Pipe: 1-1/4" I.D. schedule 40. Drop can be increased or decreased by substitution of the 18" pipe.
- See [Ceiling Mount Accessories](#) for special hardware and accessories.

1-800-LUCASEY