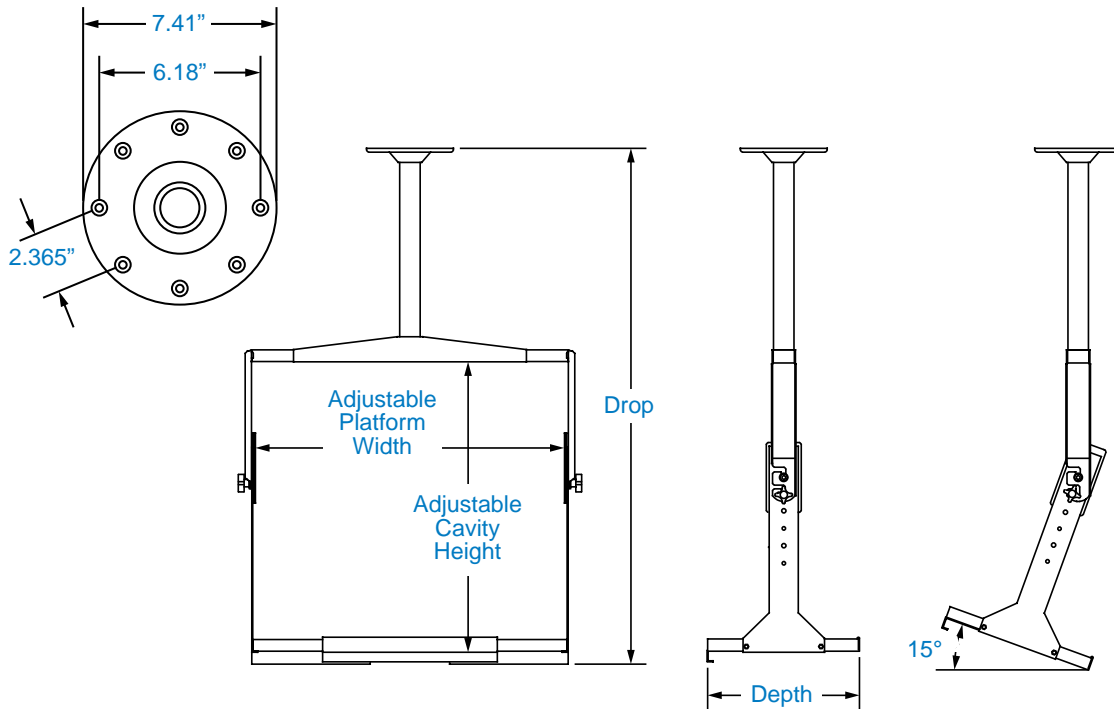




ACM Series

ADJUSTABLE YOKE CEILING MOUNT



| MODEL | PLATFORM WIDTH | PLATFORM DEPTH | LOAD LIMIT (lbs) | SWIVEL | TILT | CAVITY HEIGHT | DROP FROM CEILING | BLACK WRINKLE SHIP. WT. (lbs) |
|---------|----------------|----------------|------------------|--------|--------|-----------------|-------------------|-------------------------------|
| ACM1420 | 14"-20" | 11" | 120 | 360° | 0°-15° | 11-3/4"-19-1/4" | 31-3/4"-39-1/4" | • 20 |
| ACM2030 | 20"-30" | 13" | 120 | 360° | 0°-15° | 16-3/4"-24-1/4" | 36-3/4"-44-1/4" | • 25 |
| ACM203L | 20"-30" | 13" | 120 | 360° | 0°-15° | 20-3/4"-28-1/4" | 40-3/4"-48-1/4" | • 26 |
| ACM2333 | 23"-33" | 13" | 120 | 360° | 0°-15° | 16-3/4"-24-1/4" | 36-3/4"-44-1/4" | • 28 |
| ACM233L | 23"-33" | 13" | 120 | 360° | 0°-15° | 20-3/4"-28-1/4" | 40-3/4"-48-1/4" | • 30 |

NOTES:

- Adhesive grips for additional monitor stability.
- 18" schedule 40 pipe. **ACM1420** = 1" I.D.; **ACM2030** = 1-1/4" I.D.; **ACM2333** = 1-1/4" I.D. Custom lengths available.
- Drop can be increased or decreased by substitution of the 18" pipe.
- Safety strap included.
- See [Ceiling Mount Accessories](#) for special hardware and accessories.

1-800-LUCASEY