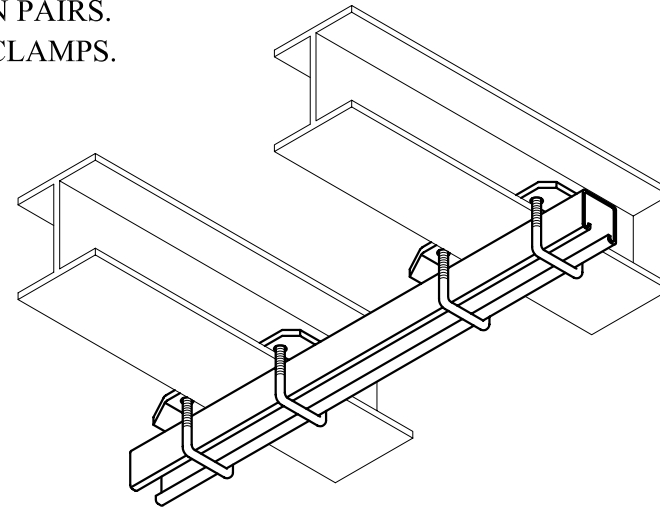
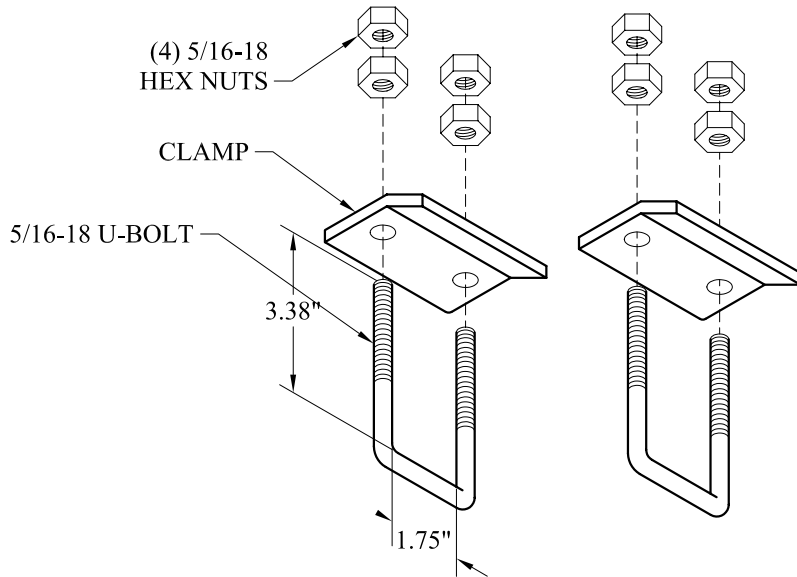


### MRABCUN1 BEAM CLAMP KIT

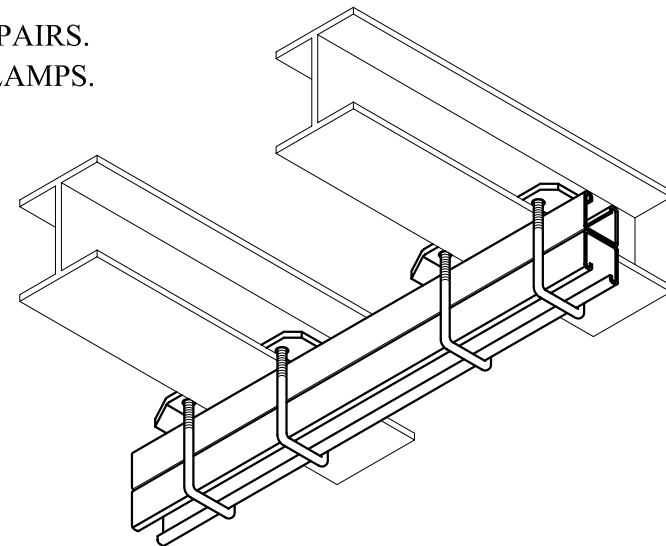
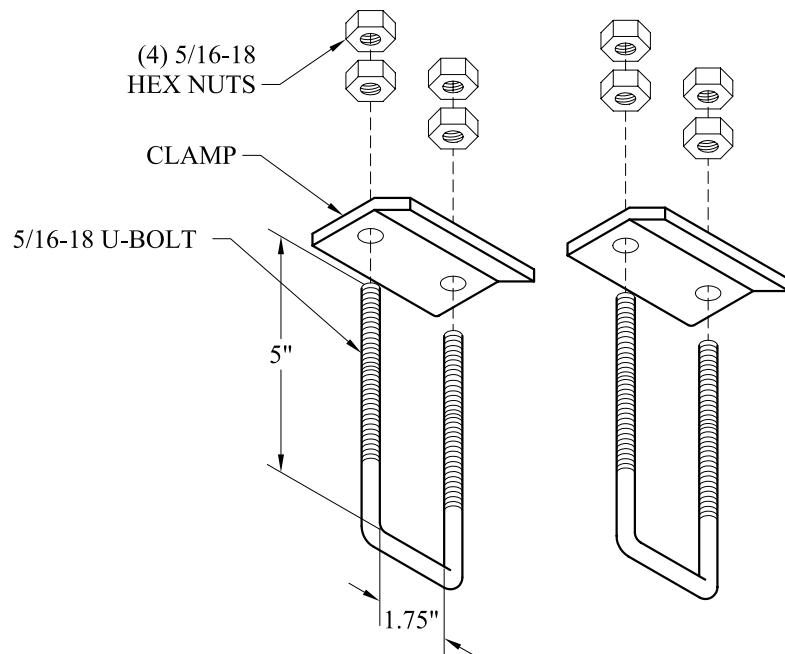
MUST BE USED IN PAIRS.  
EACH KIT HAS 2 CLAMPS.



TYPICAL BEAM TO BEAM CONNECTION USING  
2 MRABCUN1 & 1-5/8" STEEL CHANNEL

### MRABCUN2 BEAM CLAMP KIT

MUST BE USED IN PAIRS.  
EACH KIT HAS 2 CLAMPS.



TYPICAL BEAM TO BEAM CONNECTION USING 2 MRABCUN2  
& DOUBLE CHANNEL FOR ADDED STRENGTH