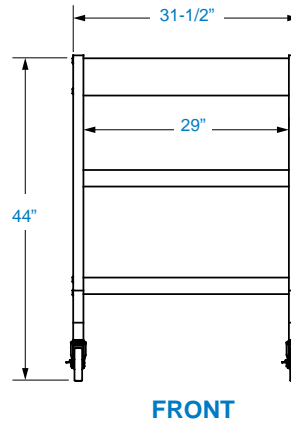
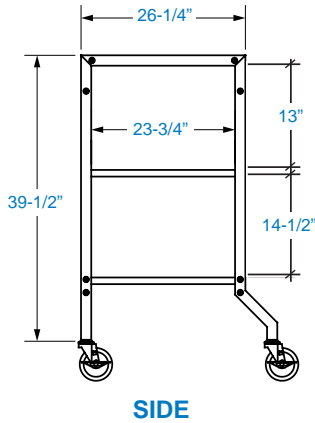
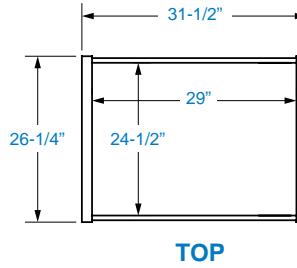




### TVT5 Series

#### SERIES HEAVY LOAD MOBILE CART



MODEL	CORD INCLUDED	LOAD LIMIT (lbs)	BLACK WRINKLE	SHIP. WT. (lbs)
TVT5	NO	200	•	80
TVT5C	YES	200	•	82

**NOTES:**

- 4" heavy duty casters with 360° swivel and locking brakes.
- **UL** and **CSA** listed 15' grounded 15 amp cord with dual outlets, see **CRACORD**.
- 5/8" safety lip on each shelf.
- KD shipping with assembly required.
- Shelf is recessed 3/16".
- Safety strap included.

**1-800-LUCASEY**

Protected under one or more of these or pending United States patent numbers: 3,291,432; 3,559,942; 3,724,798; DE5,270,689; 4,613,109; 4,852,842; 4,878,645; DE5,309,562; 4,973,023; 5,169,114; 5,255,884; 5,310,152; 5,522,576; 5,621,614; Re-35,677; DE5,398,834; 5,826,384; 5,941,492; 5,964,068 © 2000 LUCASEY MANUFACTURING CORPORATION Oakland, California. All rights reserved.