



**SM2411A
&
SM2411B**

Wafer Thin Profile Furniture Mount with Security

for Samsung Models: LN37A450, LN37B457C6HXZA,
LN40A450 & LN40B457C6HXZA

The SM2411A & SM2411B mounts use the existing Samsung 37" & 40" monitor bases to secure the LCD to the furniture. Available in adhesive and bolt down versions. The adhesive model allows the monitor to be secured to granite, marble, glass and other countertops that cannot be drilled. The patented security mechanism provides a discrete wafer thin profile while securing the monitor. Security screws are used to replace the existing monitor stand screws.

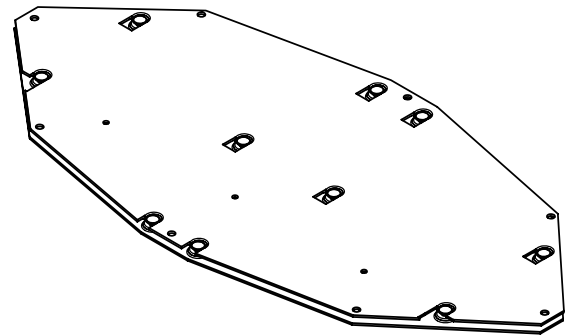
Features:

Black finish hides mount under monitor's glass base.

Fits Commercial Samsung 37" & 40" LCD Models:
LN37A450, LN37B457C6HXZA, LN40A450 &
LN40B457C6HXZA

Security screws provided to replace monitor stand attaching screws.

Uses existing monitor base center of gravity to mount the monitor securely to the furniture.



Security Tools: (Ordered Separately)

SM2411K - Release Key for SM2411 Mounts
(Includes 5/32" Hex Key with Hole for Security Screws)

Maximum Load Limit:

50 Lbs. (22.7 Kg.)

Product Weight:

6.2 Lbs. (2.8 Kg.)

Shipping Weight:

6.7 Lbs. (3.1 Kg.)

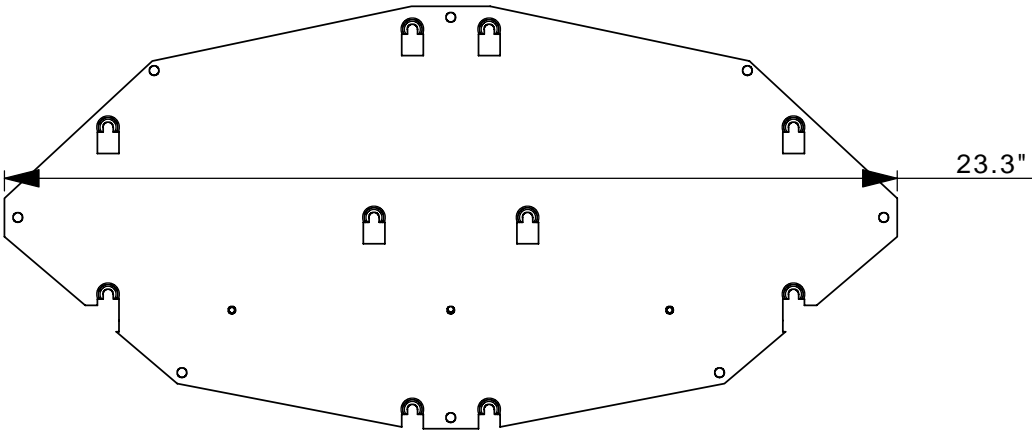
Carton Dimensions:

25"L x 12"W x 0.5"H

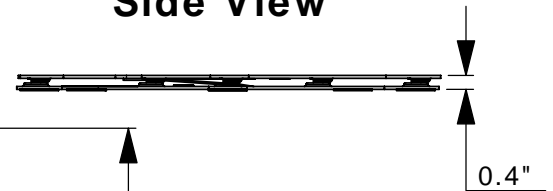
Architectural Specification: The Wafer Thin Furniture Mount shall be Lucasey model SM2411A or SM2411B and shall be located where indicated on the plans. It shall feature monitor base attaching plates compatible with Samsung Models: LN37A450, LN37B457C6HXZA, LN40A450 & LN40B457C6HXZA. Assembly and installation shall be done according to instructions provided by the manufacturer.



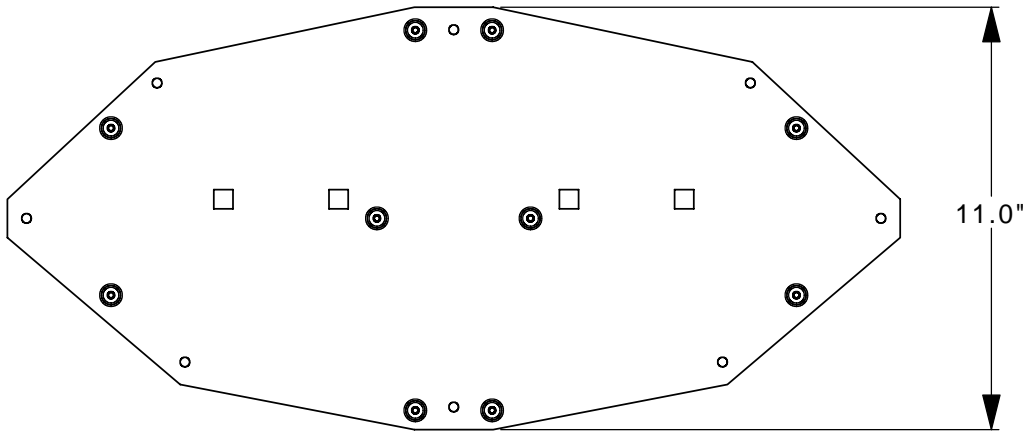
Top View



Side View

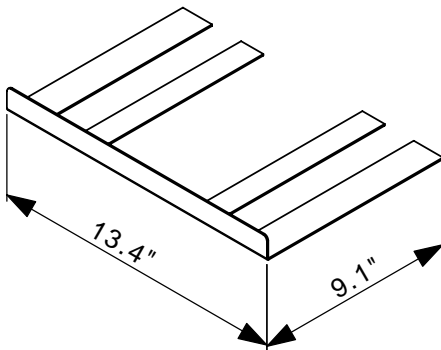


Bottom View



SM2411K - Release Key

* Sold Separately



5/32" Hex Key with Hole Included
with SM2411K - Release Key