



LCIL200A U-Hook Wall Plate Mount for Flat Screens up to 50lbs
with 100mm or 200mm Mounting Patterns

The LCIL200A attaches to small and medium size flat screens up to 50lbs with 100mm or 200mm mounting patterns. The U-Hook attaches to female receptacle wall plates with a 5/8" dia. rod. The threaded 5/8" rod can be used to adjust the height of the monitor. The mount allows for tilt adjustment up or down $\pm 45^\circ$.

Features:

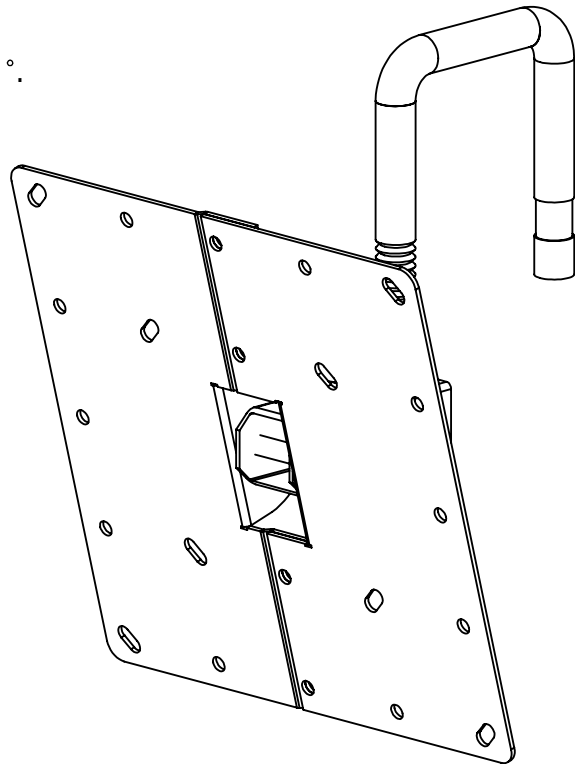
Gloss black baked on powder coat finish

Fits up to 50lbs flat panel monitors

Universal mounting pattern fits 100mm & 200mm VESA compatible monitors

Tilts up and down up to $\pm 45^\circ$

4mm, 5mm & 6mm monitor attaching hardware screws and studs are included



Optional Accessories:

LCAPDVD Series - Accessories to mount equipment below the LCD

Maximum Load Limit:

50lbs (22.7kg)

Product Weight:

4.8lbs (2.2kg)

Shipping Weight:

5.3lbs (2.4kg)

Carton Dimensions:

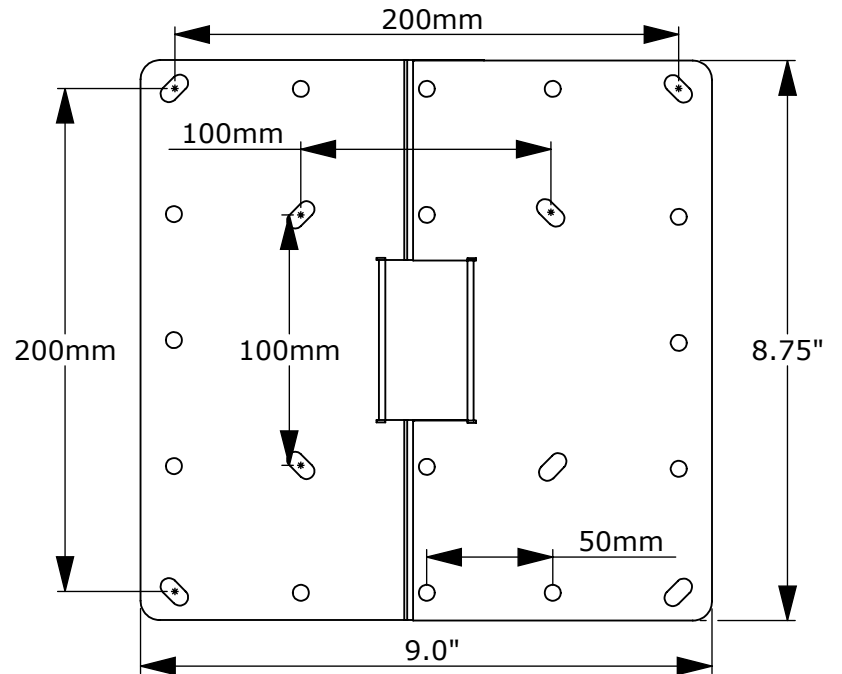
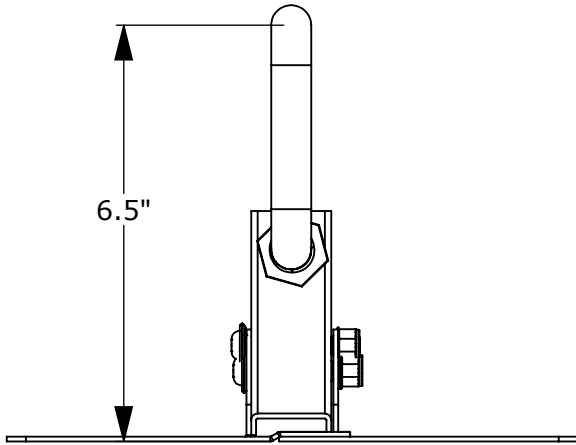
15"L x 12"W x 4"H

Architectural Specification: The wall plate mount shall be Lucasey model LCIL200A and shall be located where indicated on the plans. It shall feature monitor attaching plates included compatible with VESA 100mm and 200mm mounting patterns. Assembly and installation shall be done according to instructions provided by the manufacturer.

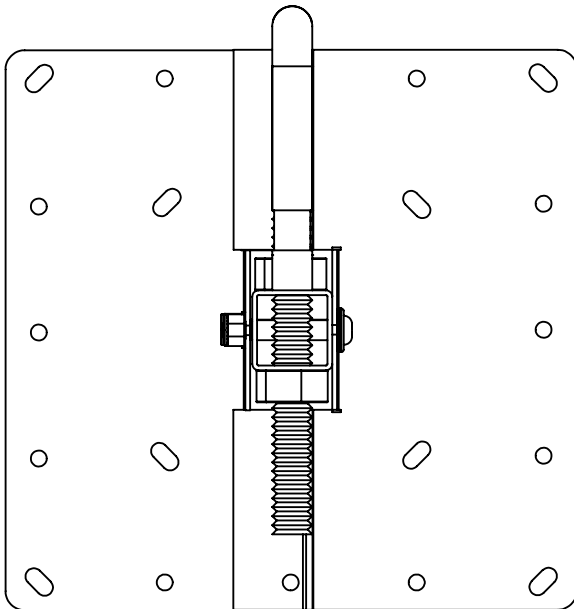


VESA Mounting Plate

Top View



Back View



Side View Tilted

