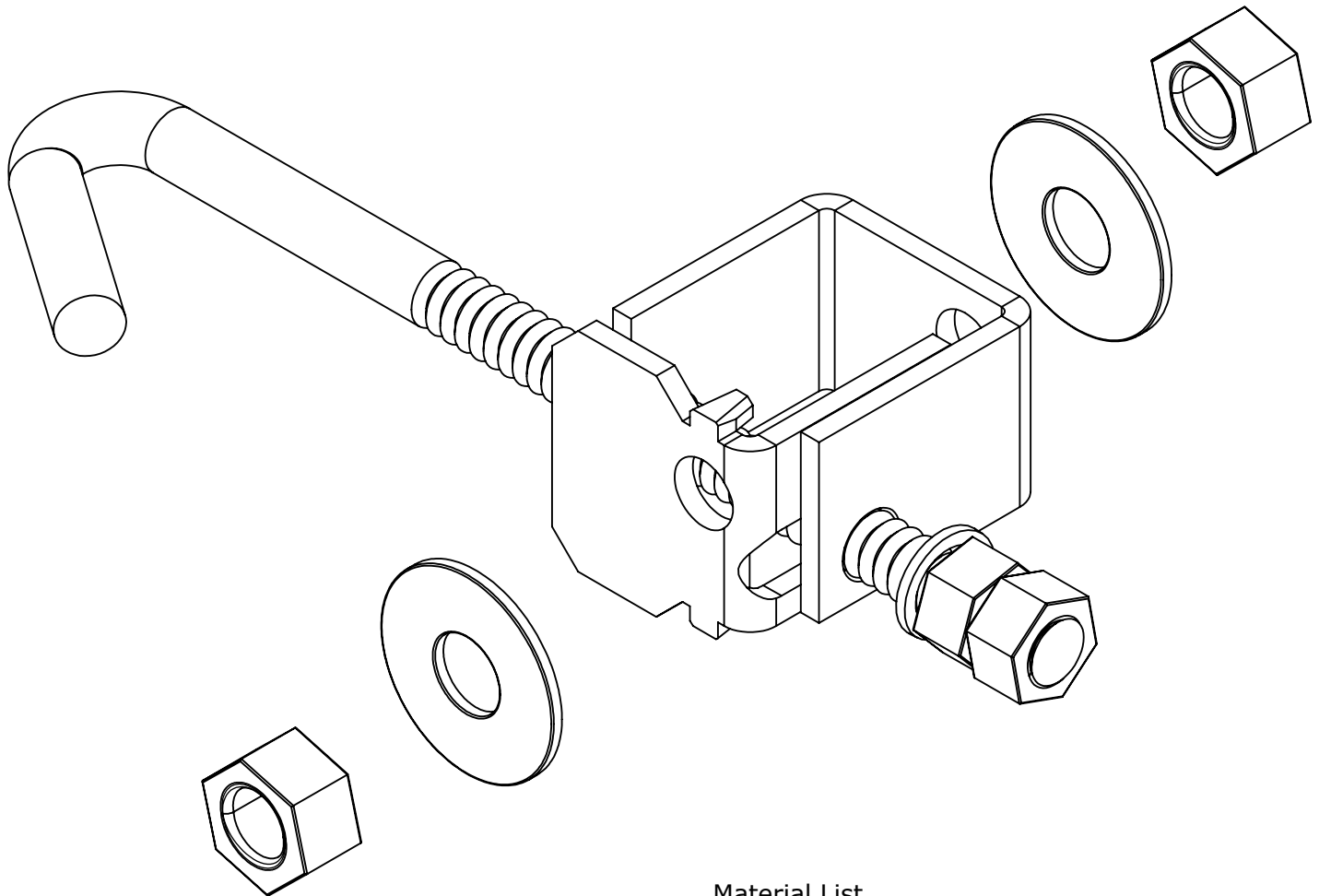




MRABC Adjustable Beam Clamp for 4-8 inch I-Beams

Beam clamp for attaching 1/2" threaded rod to I-Beams
Used for suspension of steel channel, monitor rings and
inline pipe systems. Includes 1/2" nuts and washers for
threaded rod attachment. Threaded rods are sold
separately.



Material List

- 1Pc. Bent Rod for 4"-8" Beam Clamp
- 1Pc. Beam Clamp Bottom Plate
- 1Pc. Beam Clamp Top Plate
- 1Pc. 1/2" Lock Washer
- 2Pcs. 1/2" Flat Washers
- 4Pcs. 1/2-13 Hex Nuts