

PHTM400 - Phantom 400 Wafer Thin Profile Wall Mount
for Flat Screens up to 100lbs
with 400mm Mounting Patterns

The **PHTM400** attaches to flat screens up to 100lbs with 400mm x 400mm, 400mm x 300mm & 400mm x 200mm mounting patterns. The wafer thin profile of the **Phantom 400** mount projects from the wall less than 5/8". Security for the flat screen is provided with a discrete proprietary locking mechanism. Wood lag screws are provided for quick and easy installation.

Features:

Gloss black baked on powder coat finish

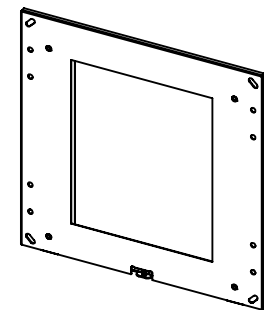
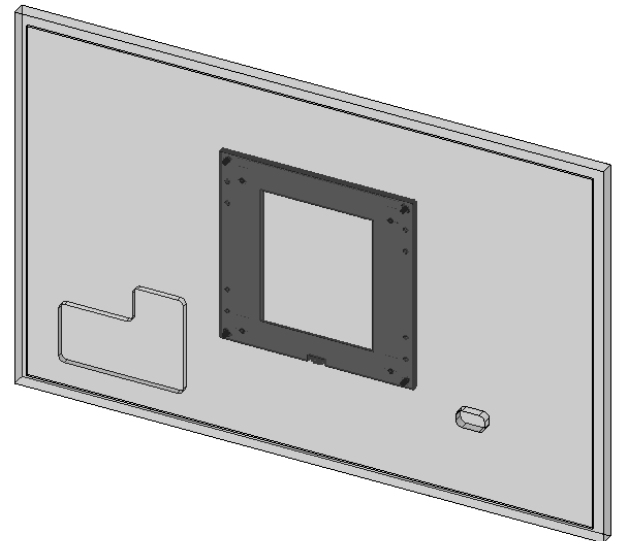
Fits up to 100lbs Flat Screens

Fits 400mm x 400mm, 400mm x 300mm & 400mm x 200mm VESA mounting patterns

Security screw provided to join wall plate to VESA mounting plate.

Open wall plate allows for electrical and A/V junction boxes behind the monitor.

Gap between plates allows for very clean looking wiring in the wall.



Optional Accessories:

WMATB6 - Metal Stud Toggle Bolt Kit
WMAAB6 - Concrete Anchor Bolt Kit



PHTM400 QR Code
Link to Web Page

Maximum Load Limit:

100lbs (45.5 kg)

Product Weight:

12.0lbs (5.5 kg)

Shipping Weight:

12.5lbs (5.7 kg)

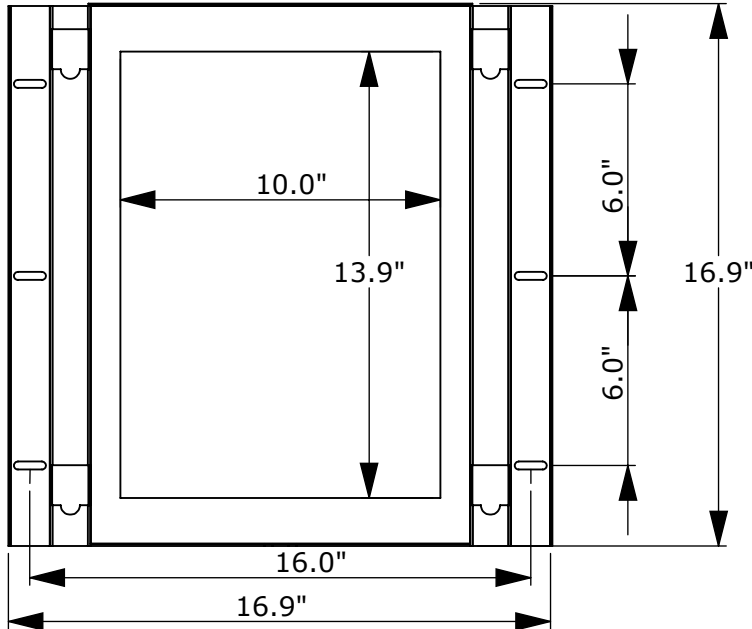
Carton Dimensions:

20"L x 18"W x 1"H

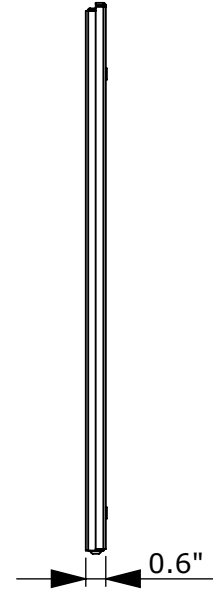
Architectural Specification: The Wafer Thin Profile Wall Mount shall be Lucasey model **PHTM400** and shall be located where indicated on the plans. It shall feature monitor attaching plates included compatible with VESA 400mm mounting patterns. Assembly and installation shall be done according to instructions provided by the manufacturer.



Wall Plate



**Wafer Thin Profile
Side View**



VESA Mounting Plate

