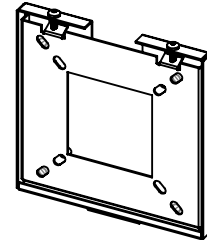


PHTM100 - Phantom 100 Wafer Thin Profile Wall Mount
for 10" - 40" Flat Screens up to 25lbs
with 100mm or 75mm VESA[®] Mounting Patterns

The **PHTM100** wall mount attaches to 10" - 40" flat screens up to 25lbs with 100mm x 100mm or 75mm x 75mm mounting patterns. The wafer thin profile of the **Phantom 100** mount projects from the wall less than 1/2". Security for the flat screen is provided with a discrete proprietary locking mechanism. Wood screws are provided for quick and easy installation.



Features:

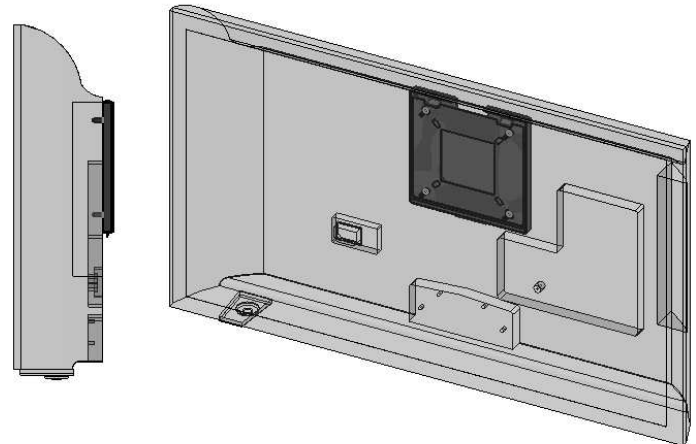
Gloss black baked on powder coat finish

Fits 10"-40" flat screens with 100mm x 100mm or 75mm x 75mm VESA[®] mounting patterns

Security screw provided to join wall plate to the screen mounting plate for discrete flat screen security.

Open wall plate allows for electrical and A/V junction boxes behind the monitor.

Gap between plates and plastic edge protector allow for very clean looking wiring in the wall.



Optional Accessories:

WMATB2 - Metal Stud Toggle Bolt Kit

WMAAB4 - Concrete Anchor Bolt Kit



PHTM100 QR Code
Link to Web Page

Maximum Load Limit:

25lbs (11.4kg)

Product Weight:

1.5lbs (0.7kg)

Shipping Weight:

1.75lbs (0.8kg)

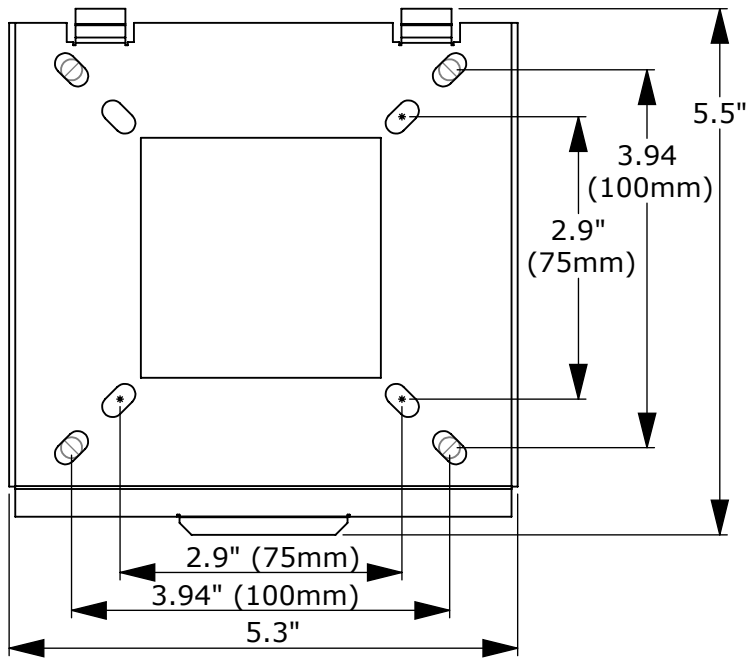
Carton Dimensions:

6"L x 6"W x 1"H

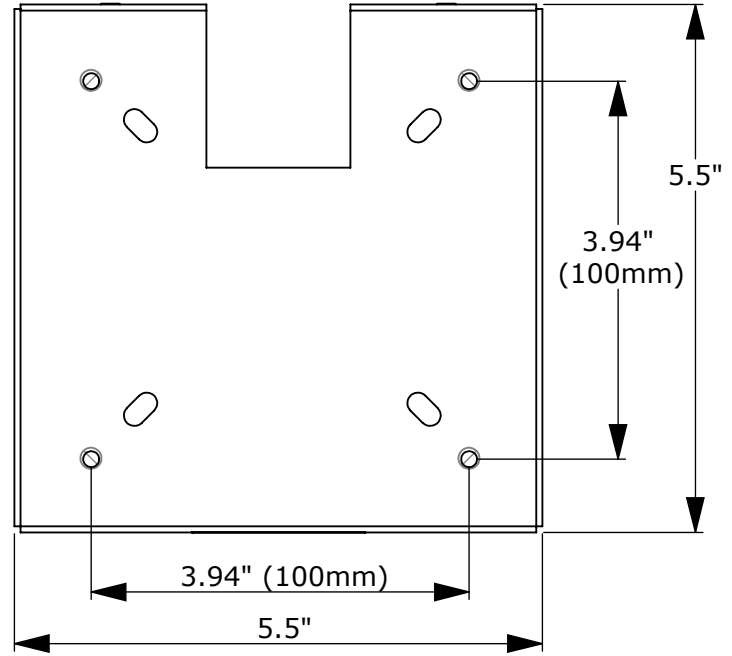
Architectural Specification: The Wafer Thin Profile Wall Mount shall be Lucasey model **PHTM100** and shall be located where indicated on the plans. It shall feature monitor attaching plates included compatible with VESA 100mm x 100mm, & 75mm x 75mm. Assembly and installation shall be done according to instructions provided by the manufacturer.



Front View



Back View



Side View

