



LCDUCD Dual Back to Back Ceiling Mount for Two Flat Screens
up to 20lbs each with 75mm or 100mm Mounting Patterns

The LCDUCD ceiling mount attaches to two small flat screens up to 20lbs each with 75mm or 100mm mounting patterns. The ceiling mount drops from 20" to 35" from the ceiling to the centerline of the monitor. The dual tilting pivot points can rotate up to 180° or to the maximum range the monitor size will allow. Wood lag screws are provided for solid wood beam installations with the provided ceiling flange.

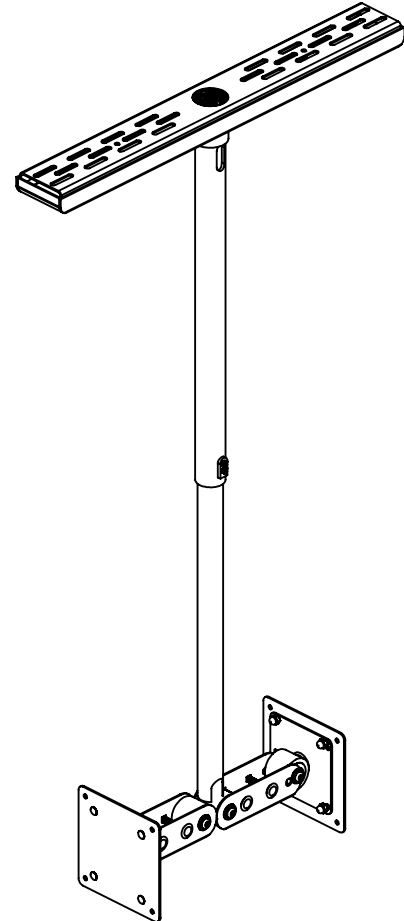
Features:

Available in black and silver finishes

Fits two flat panel monitors under 20lbs (9.1kg) ea.

Universal mounting pattern fits 75mm x 75mm & 100mm x 100mm VESA compatible monitors

Telescoping pipe allows monitor drop from ceiling to be adjusted from 20" to 35"



Optional Accessories:

CMAAB4 - Concrete Anchor Bolt Kit

CMAEF100 - Chrome eschutcheon flange to dress drops through false ceilings

CMAP100 - 1" I.D. Pipe cut to length threaded & powder coated for longer drops

CMACP100 - 1" I.D. pipe coupling to join extra lengths of pipe

Maximum Load Limit:

40lbs (18.2kg)

Product Weight:

15.2lbs (6.9kg)

Shipping Weight:

16.0lbs (7.3kg)

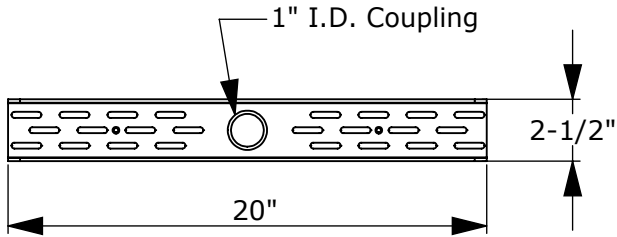
Carton Dimensions:

24"L x 6-1/2"W x 6-1/2"H

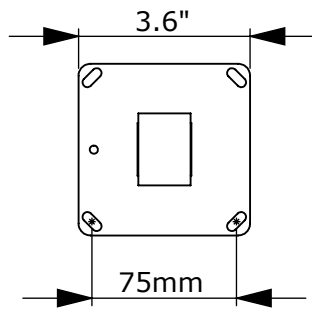
Architectural Specification: The Dual Ceiling Mount shall be Lucasey model LCDUCD and shall be located where indicated on the plans. It shall feature monitor attaching plates included compatible with VESA 75mm x 75mm and 100mm x 100mm mounting patterns. Assembly and installation shall be done according to instructions provided by the manufacturer.



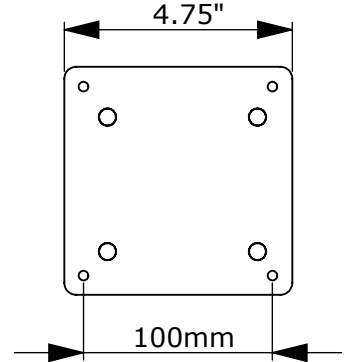
Ceiling Flange



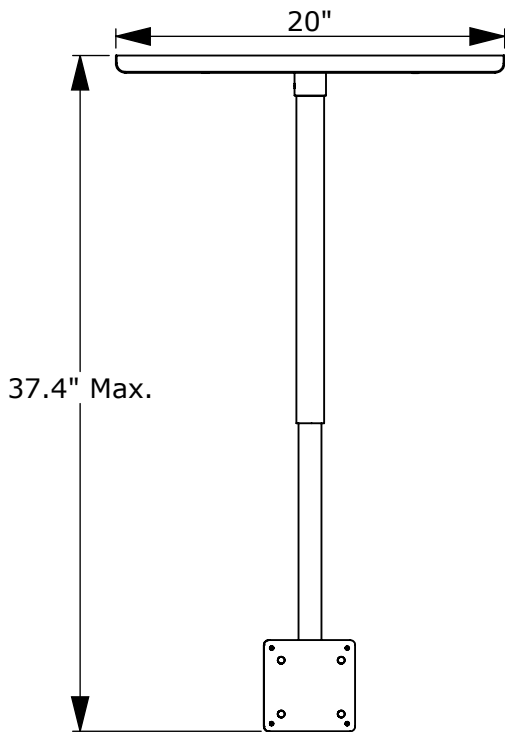
**75mm VESA
Mounting Plate**



**100mm VESA
Mounting Plate**



Front View



Side View

