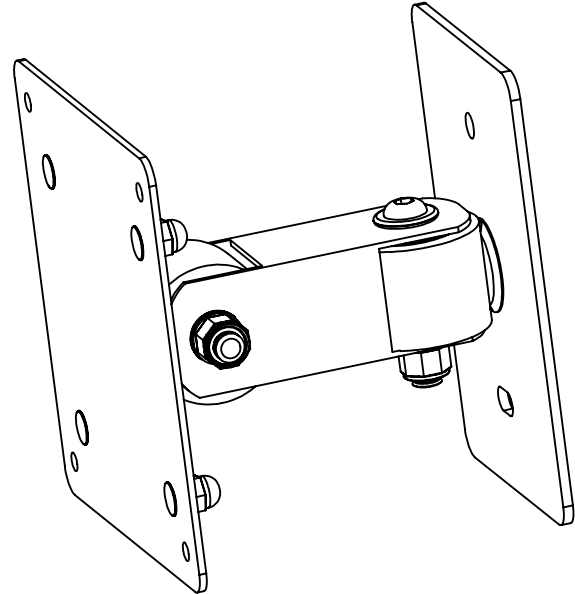




**LCDU375W  
&  
LCDU550W**

**Pivoting Wall Mounts for Flat Screens up to 20lbs  
with 75mm or 100mm Mounting Patterns**

The LCDU375W & LCDU550W pivoting wall mounts attach to small flat screens up to 20lbs with 75mm or 100mm mounting patterns. The mounts project from the wall 3-3/4" or 5-1/2" to allow for pivoting and tilting. Both the pivot and tilt points can rotate up to 180° or to the maximum range the monitor size will allow. Wood lag screws are provided for quick and easy installation into a single wall stud.



**Features:**

Available in black and silver finishes

Fits flat panel monitors under 20lbs (9.1kg)

Universal mounting pattern fits 75mm x 75mm & 100mm x 100mm VESA compatible monitors

**Optional Accessories:**

LCDSHW - Security Hardware Kit

LCDSTK - Security Tool Kit

**Maximum Load Limit:**

20lbs (9.1kg)

**Product Weight:**

2.8lbs (1.3kg)

**Shipping Weight:**

5.8lbs (2.6kg) (2 per Box)

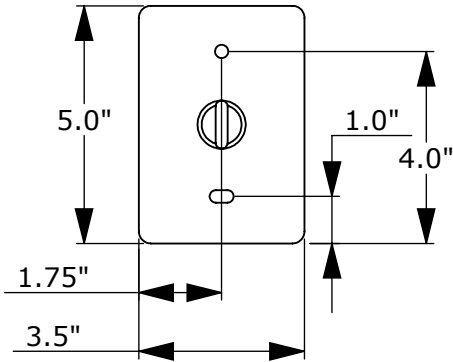
**Carton Dimensions:**

7"L x 7"W x 7"H (2 per Box)

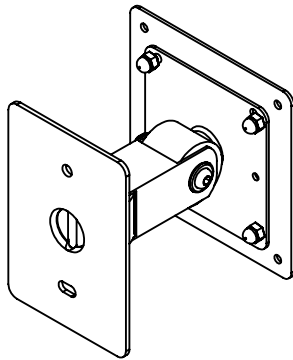
Architectural Specification: The Pivoting Wall Mount shall be Lucasey model LCDU375W or LCDU550W and shall be located where indicated on the plans. It shall feature monitor attaching plates included compatible with VESA 75mm x 75mm and 100mm x 100mm mounting patterns. Assembly and installation shall be done according to instructions provided by the manufacturer.



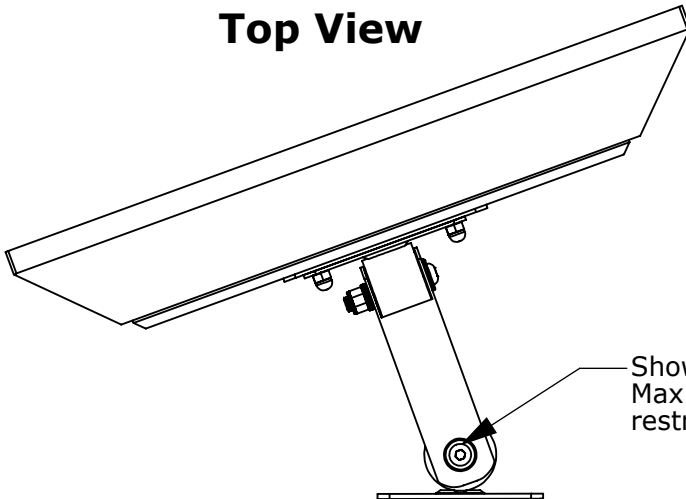
**Wall Plate**



**Back View**

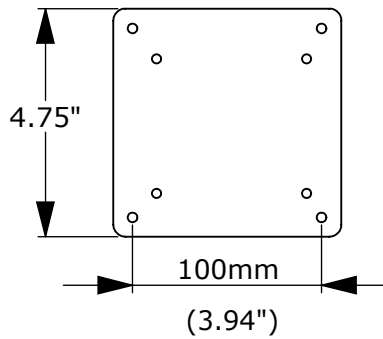


**Top View**



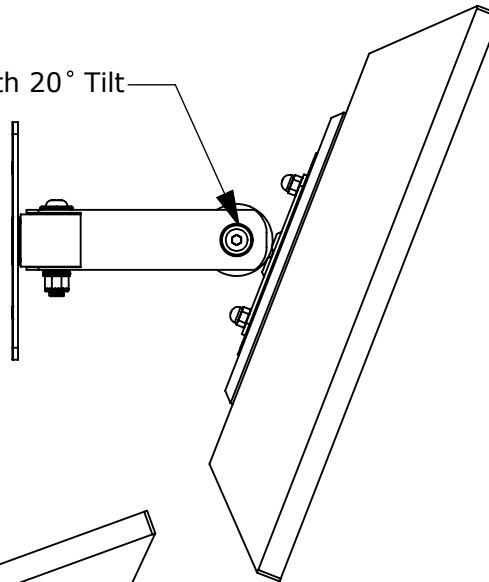
Shown with 20° Pivot  
Max. Pivot & Tilt are  
restricted by monitor size

**100mm Plate**

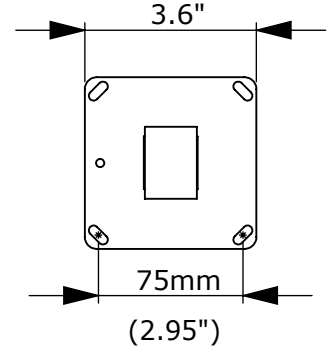


**Side View**

Shown with 20° Tilt

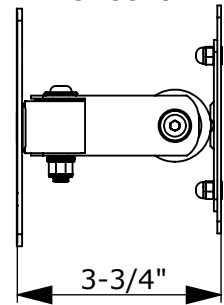


**75mm Plate**



**Side View**

LCDU375W



**Side View**

LCDU550W

