



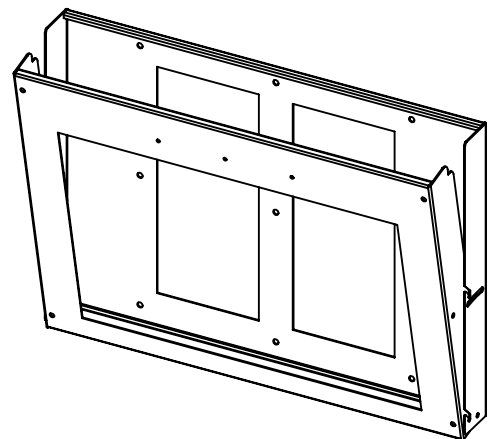
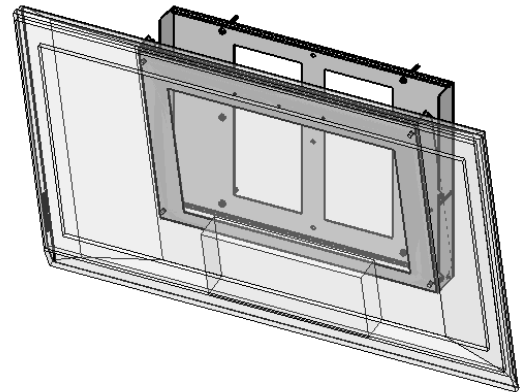
LC6X4WT - Security Wall Mount with Tilt for up to 65" Flat Screens with 600mm x 400mm VESA[®] Mounting Patterns

The LC6X4WT Security Wall Mount with Tilt is designed to secure a 20" - 65" flat screen, up to 150lbs, to the wall while still allowing the monitor to tilt.

The VESA[®] mounting patterns on the front of the LC6X4WT allows it to be mounted to flat screens that have a 600mm x 400mm mounting pattern.

Convenient cutouts for electrical and A/V wiring in the wall.

Using the provided security screws prevents the monitor from being removed without the use of a security screw tool, purchased separately.



Features:

Fits 20"-65" flat screens up to 150lbs with 600mm x 400mm VESA[®] mounting patterns

Tilts up to 12°

Optional Accessories:

WMATB6 - Metal Stud Toggle Bolt Kit
WMAAB6 - Concrete Anchor Bolt Kit



LC6X4WT QR Code
Link to Web Page

Maximum Load Limit:
150lbs (68.2 kg)

Product Weight:
15lbs (6.8 kg)

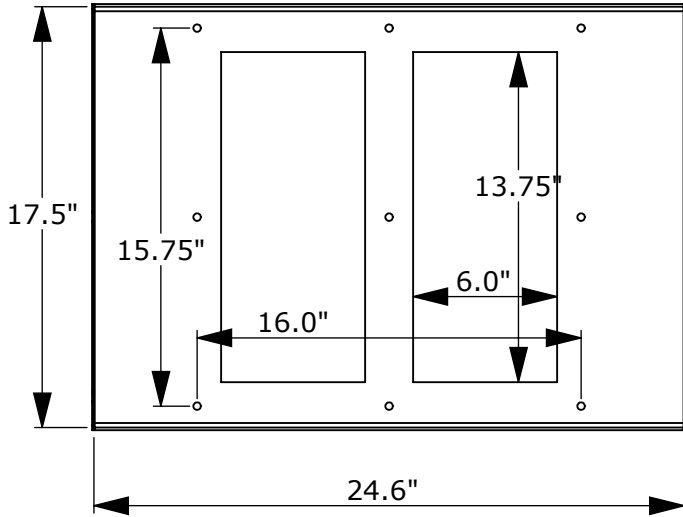
Shipping Weight:
17lbs (7.7 kg)

Carton Dimensions:
25"L x 18"W x 3"H

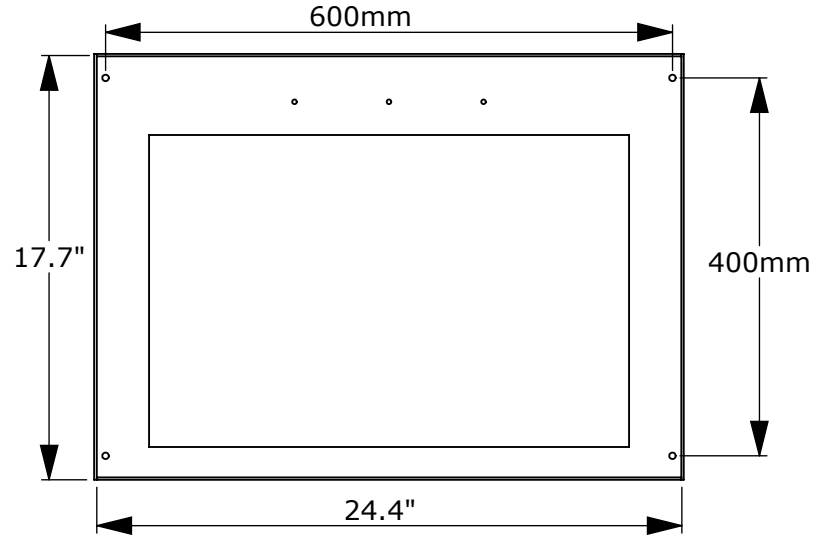
Architectural Specification: The Tilting SecurityWall Mount shall be Lucasey model LC6X4WT and shall be located where indicated on the plans. It shall feature monitor attaching plates included compatible with VESA 600mm x 400mm mounting patterns. Assembly and installation shall be done according to instructions provided by the manufacturer.



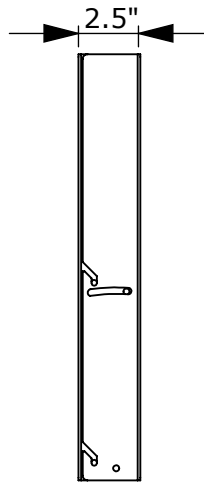
Wall Plate



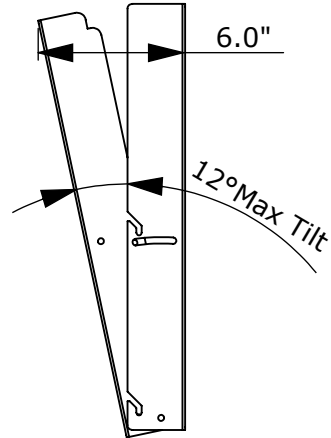
VESA Mounting Plate



Side View



Tilted Side View



Top View

