



**LC4X4WT - Security Wall Mount with Tilt for up to 65" Flat Screens with 400mm Mounting Patterns**

The LC4X4WT Security Wall Mount with Tilt is designed to secure a 20"-65" flat screen, up to 100lbs, to the wall while still allowing the screen to tilt.

The VESA<sup>®</sup> mounting patterns on the front of the LC4X4WT allow it to be mounted to screens that have mounting patterns of 400mm x 400mm, 400mm x 300mm & 400mm x 200mm.

The mount has convenient cutouts for electrical and A/V wiring to the back of the screen and to the wall.

Using the provided security screws prevents the monitor from being removed without the use of a security screw tool, purchased separately.

**Features:**

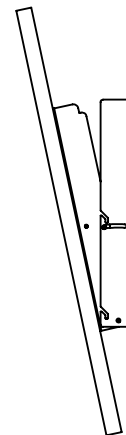
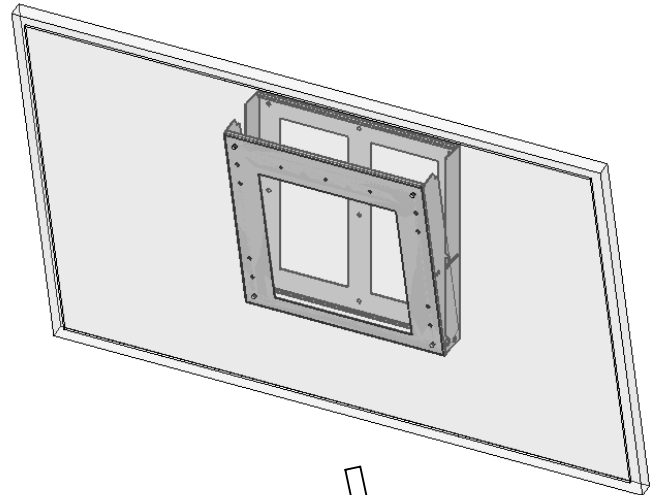
Fits screens sizes from 20" to 65" that weigh up to 100lbs

Works with 400mm x 400mm, 400mm x 300mm & 400mm x 200mm VESA mounting patterns

Tilts from 0° up to 12°

**Optional Accessories:**

WMATB6 - Metal Stud Toggle Bolt Kit  
WMAAB6 - Concrete Anchor Bolt Kit



QR Code Link to LC4X4WT Web Page

**Maximum Load Limit:**

100lbs (45.5 kg)

**Product Weight:**

13lbs (5.9 kg)

**Shipping Weight:**

15lbs (6.8 kg)

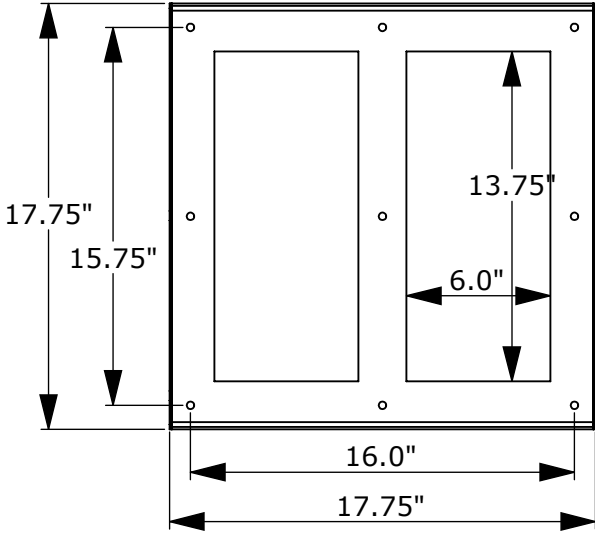
**Carton Dimensions:**

18"L x 18"W x 3"H

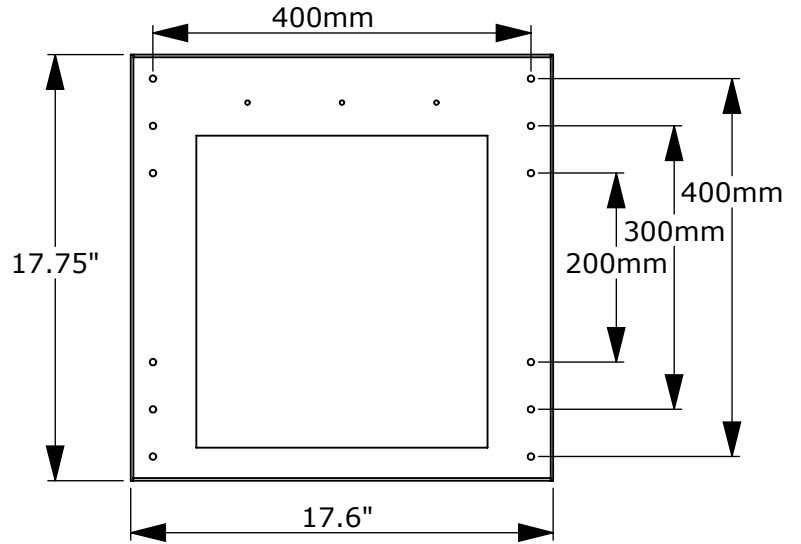
Architectural Specification: The Tilting SecurityWall Mount shall be Lucasey model LC4X4WT and shall be located where indicated on the plans. It shall feature monitor attaching plates included compatible with VESA 400mm x 400mm, 400mm x 300mm or 400mm x 200mm mounting patterns. Assembly and installation shall be done according to instructions provided by the manufacturer.



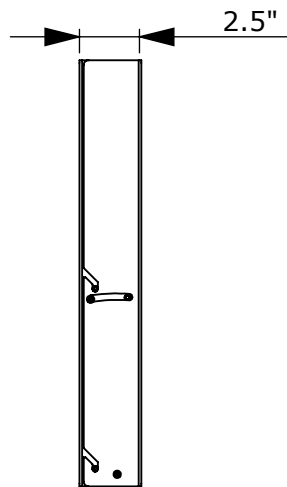
**Wall Plate**



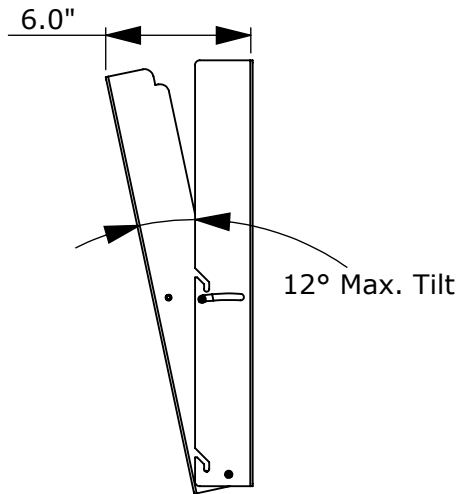
**VESA Mounting Plate**



**Side View**



**Tilted Side View**



**Top View**

